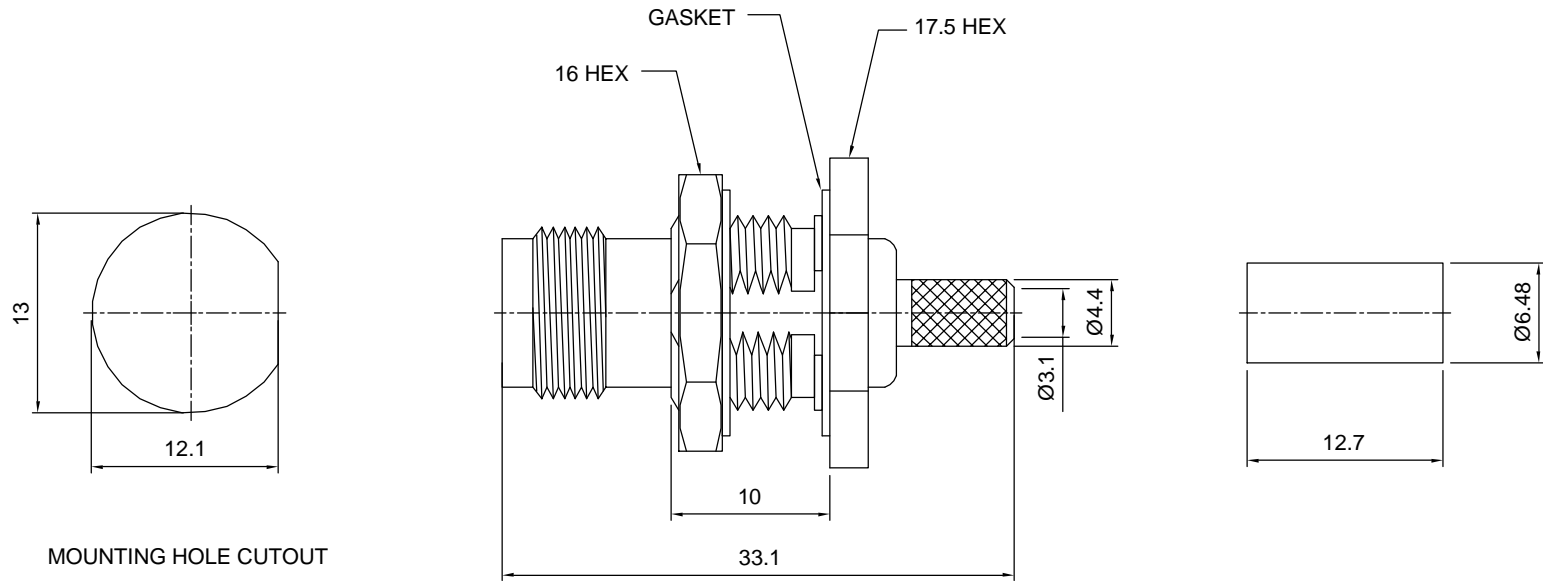



Tolerances 1-20=+/-0.2 20-30=+/-0.3 30-40=+/-0.4 40-50=+/-0.5 50-100=+/-0.75 100-300=+/-1.5 Angles=+/-1 Dimensions are in Millimeters	Revisions Description/Approved/Date	Approved M.H.	Date 6/20/99
	1. Length, crimp stem dia. / 7-21-01 / M.H.	Checked M.H.	Date 6/20/99
	Drawn K.R.E.		Date 6/19/99
NOTES (plating thickness in micro-inches): 1. Per QQ-B-626 2. Per QQ-S-764 3. Per QQ-C-530 4. Per QQ-B-750 5. Per MIL-P-19468 6. Per ZZ-R-765 7. Per WW-T-799 8. Gold pl. 5 min. over nickel pl. 50 min. over copper strike 9. Nickel pl. 100 min. over copper strike 10. Per QQ-P-35 11. Gold pl. 30 min. over nickel pl. 50 min. over copper strike			



ITEM	MATERIAL	FINISH
Connector Body	Brass, Note 1	Nickel, Note 9
Center Contact: Female	Beryllium Copper, Note 3	Gold, Note 11
Insulation	Teflon, Note 5	None
Ferrule	Annealed Copper, Note 7	Same as body
Gasket	Silicone Rubber, Note 6	None
Hex Nut	Brass, Note 1	Same as body
Lock Washer	Brass, Note 1	Same as body



Lighthouse Technologies, Inc.
4907 Morena Boulevard, #1411
San Diego, California 92117
Part Number:
LTI-TSF13RLNT-58

Description		
TNC bulkhead crimp jack for RG-58 cable, long version.		
(6.5 max panel width) Nickel plated brass body, teflon dielectric.		
Scale	Drawing No.	File Name
2:1	TNC/TSF13L-58	TSF13L-58