

All components used in this connector conform to RoHS standards.

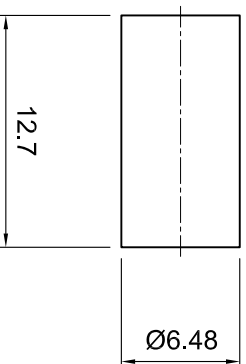
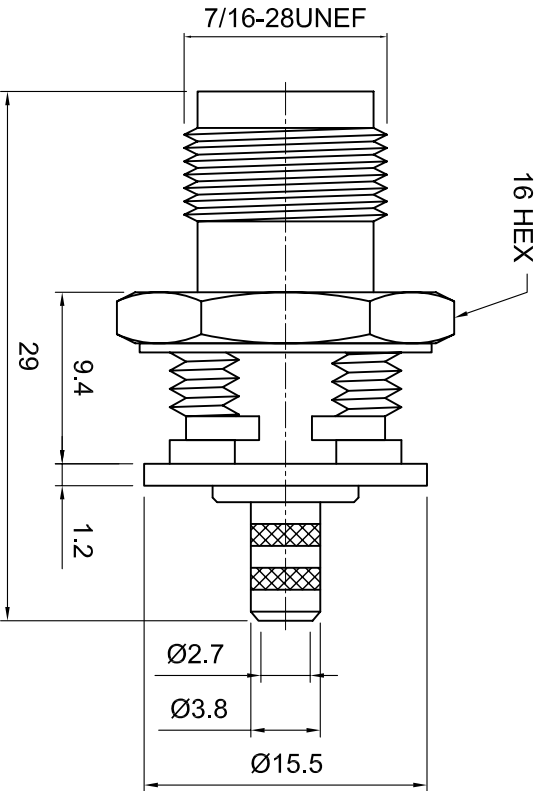


Tolerances
 1-20=+/-0.2
 20-30=+/-0.3
 30-40=+/-0.4
 40-50=+/-0.5
 50-100=+/-0.75
 100-300=+/-1.5
 Angles=+/-1
Dimensions are in Millimeters

Revisions		Approved	Date
Description/Approved/Date	Checked	M.H.	Date
	Drawn	K.R.E.	Date

NOTES (plating thickness in microinches):
 1. Per QQ-B-626
 2. Per QQ-S-764
 3. Per QQ-C-530
 4. Per QQ-B-750
 5. Per MIL-P-19488
 6. Per ZZ-R-765
 7. Per WW-1-799
 8. Gold pl. 5 min. over nickel pl. 50 min. over copper strike
 9. Nickel pl. 100 min. over copper strike
 10. Per QQ-P-35
 11. Gold pl. 5 min. over nickel pl. 50 min. over copper strike

Approved by:
Date:



ITEM	MATERIAL	FINISH
Connector Body	Brass, Note 1	Nickel, Note 9
Center Contact: F	Brass, Note 1	Gold, Note 11
Insulation	Teflon, Note 5	None
Ferrule	Annealed Copper, Note 7	Same as body
Gasket	--	--
Hex Nut	Brass, Note 1	Same as body
Lock Washer	--	--

Lighthorse Technologies, Inc.
 9511 Ridgely Court, Suite B
 San Diego, CA 92123
 Part Number:
LT-TSF13RENT-316

Description
 TNC isolated bulkhead crimp jack for RG 316

Scale 1:1	Drawing No.	File Name
--------------	-------------	-----------