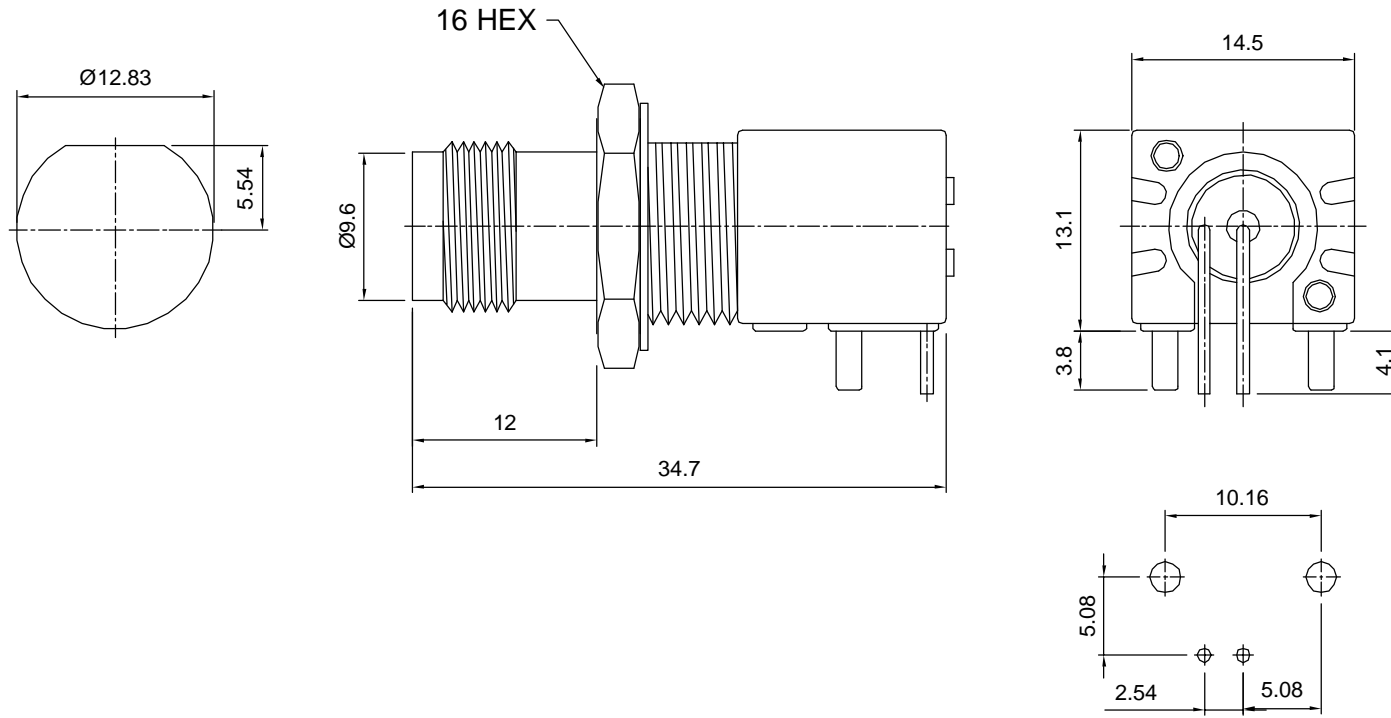


	Tolerances 1-20=+/-0.2 20-30=+/-0.3 30-40=+/-0.4 40-50=+/-0.5 50-100=+/-0.75 100-300=+/-1.5 Angles=+/-1 Dimensions are in Millimeters	Revisions	Approved	Date
		Description/Approved/Date	M.H.	04/23/02
			Checked	Date
			M.H.	04/23/02
		Drawn	Date	
		K.R.E.	04/21/02	
NOTES (plating thickness in micro-inches):		5. Per MIL-P-19468	9. Nickel pl. 100 min. over copper strike	
1. Per QQ-B-626	6. Per ZZ-R-765	7. Per WW-T-799	10. Per QQ-P-35	
2. Per QQ-S-764	8. Gold pl. 5 min. over nickel pl. 50 min. over copper strike	11. Gold pl. 30 min. over nickel pl. 50 min. over copper strike		
3. Per QQ-C-530				
4. Per QQ-B-750				



RECOMMENDED PCB LAYOUT

ITEM	MATERIAL	FINISH
Connector Body	Diecast Zinc Alloy	Nickel, Note 9
Center Contact: Female	Phosphor Bronze	Gold, Note 11
Insulation	Polyethylene, Housing: PBT	None
Ferrule	--	--
Gasket	--	--
Hex Nut	Brass, Note 1	Same as body
Lock Washer	Brass, Note 1	Same as body



Lighthouse Technologies, Inc.
 4907 Morena Boulevard, #1411
 San Diego, California 92117

Part Number:
LTI-TLF54MNPW

Description
 TNC commercial rt. angle PCB jack (13.1 mm profile). Diecast nickel plated body, PP dielectric, white plastic housing, post mounting legs.

Scale	Drawing No.	File Name
2:1	TNC/TLF54MNP	TLF54MNPX