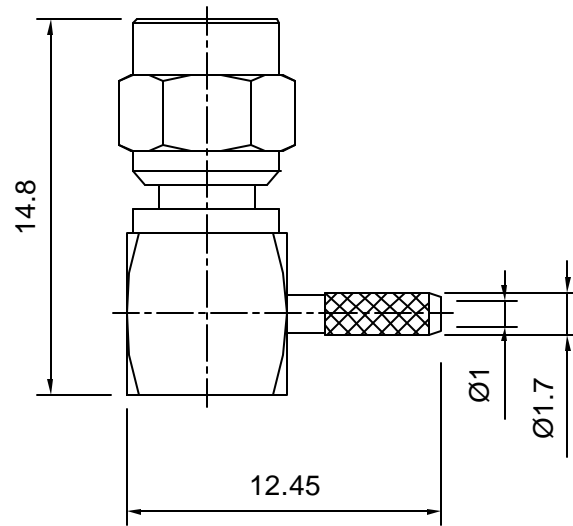


	<b>Tolerances</b> 1-20=+/-0.2 20-30=+/-0.3 30-40=+/-0.4 40-50=+/-0.5 50-100=+/-0.75 100-300=+/-1.5 Angles=+/-1 <b>Dimensions are in Millimeters</b>	Revisions Description/Approved/Date	Approved M.H.	Date 04/25/02
			Checked M.H.	Date 04/25/02
			Drawn K.R.E.	Date 04/23/02
		NOTES (plating thickness in micro-inches): 1. Per QQ-B-626 2. Per QQ-S-764 3. Per QQ-C-530 4. Per QQ-B-750		



ITEM	MATERIAL	FINISH
Connector Body	Brass, Note 1	Gold, Note 8
Center Contact: Female	Phosphor Bronze, Note 4	Gold, Note 11
Insulation	Teflon, Note 5	None
Ferrule	Annealed Copper, Note 7	Same as body
Gasket	--	--
Hex Nut	--	--
Lock Washer	--	--



**Lighthouse Technologies, Inc.**  
4907 Morena Boulevard, #1411  
San Diego, California 92117

Part Number:  
**LTI-SCLM11GT-178**

Description SMC right angle crimp plug receptacle for RG-178. Gold plated		
brass body, teflon dielectric.		
Scale 3:1	Drawing No. SMC/SCLM11-178	File Name SCLM11-178