

All components used in this connector conform to RoHS standards.



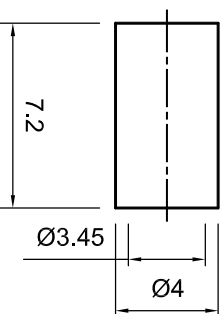
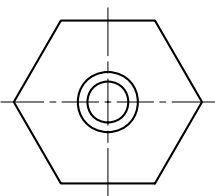
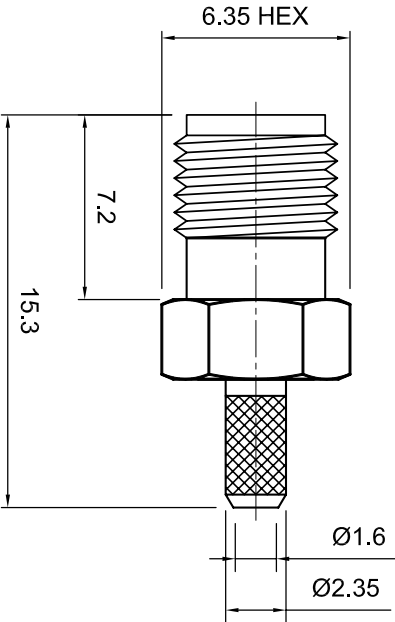
Tolerances
 1-20=+/-0.2
 20-30=+/-0.3
 30-40=+/-0.4
 40-50=+/-0.5
 50-100=+/-0.75
 100-300=+/-1.5
 Angles=+/-1


Dimensions are in Millimeters

Revisions	Approved	Date
Description/Approved/Date	M.H.	04/05/01
	Checked	Date
	M.H.	04/03/01
	Drawn	Date
	K.R.E.	04/05/01

NOTES (plating thickness):	5. Per MIL-P-19468	9. Nickel pl. 100 min. over
in micro-inches):	6. Per ZZ-R-765	copper strike
1. Per QQ-B-626	7. Per WW-T-799	10. Per QQ-P-35
2. Per QQ-S-764	8. Gold pl. 5 min. over	11. Gold pl. 30 min. over
3. Per QQ-C-530	nickel pl. 50 min. over	nickel pl. 50 min. over
4. Per QQ-B-750	copper strike	copper strike

Approved by:
Date:



ITEM	MATERIAL	FINISH	Description
Connector Body	Brass, Note 1	Gold, Note 8	 <p>Lighthouse Technologies, Inc. 9511 Ridghaven Court, Suite B San Diego, CA 92123 Part Number: LTI-SASRF11GT-316</p>
Center Contact: Female	Beryllium Copper, Note 3	Gold, Note 11	
Insulation	Teflon, Note 5	None	
Ferrule	Annealed Copper, Note 7	Same as body	
Gasket	--	--	
Hex Nut	--	--	
Lock Washer	--	--	
			Description SMA reverse polarity crimp jack for RG-316 cable. Scale 3:1
			Drawing No. SASRF11-316 File Name SASRF11-316