

All components used in this connector conform to RoHS standards.



Tolerances
 1-20=+/-0.2
 20-30=+/-0.3
 30-40=+/-0.4
 40-50=+/-0.5
 50-100=+/-0.75
 100-300=+/-1.5
 Angles=+/-1

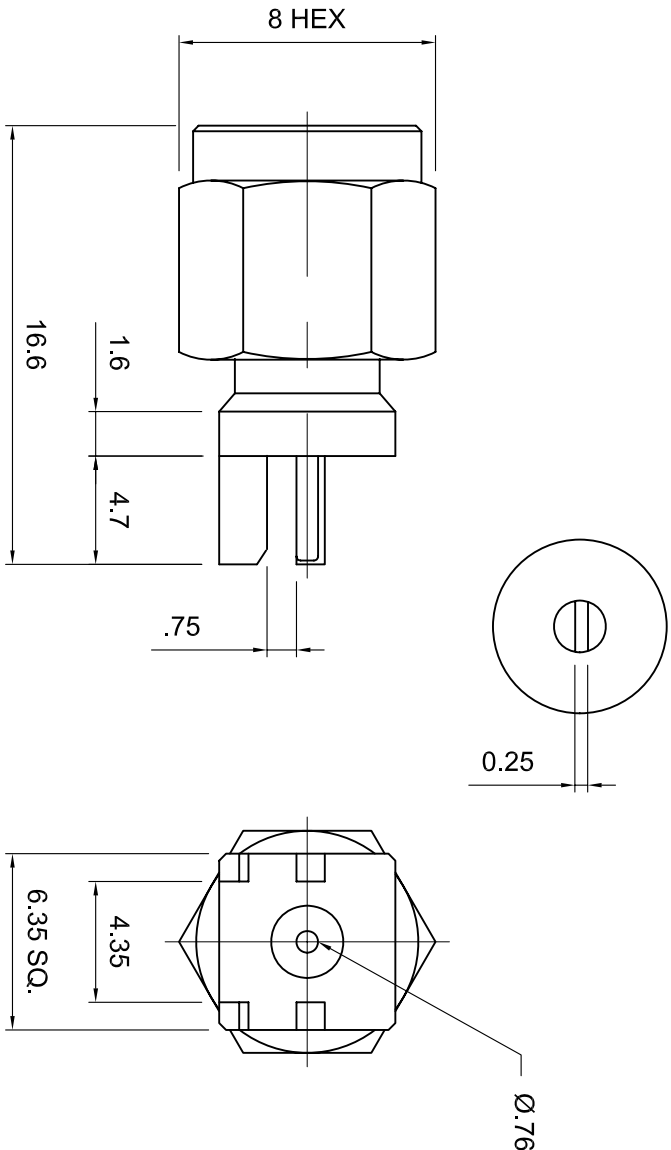
Dimensions are in Millimeters

Revisions	Approved	Date
Description/Approved/Date	Checked	Date
	Drawn	Date
	S.A.	10/22/08


NOTES (plating thickness in micro-inches):

- Per QQ-B-626
- Per QQ-S-764
- Per QQ-C-530
- Per QQ-B-750
- Per MIL-P-19468
- Per ZZ-R-765
- Per WW-T-799
- Gold pl. 5 min. over nickel pl. 50 min. over copper strike
- Nickel pl. 100 min. over copper strike
- Per QQ-P-35
- Gold pl. 30 min. over nickel pl. 50 min. over copper strike

Approved by:
Date:



ITEM	MATERIAL	FINISH
Connector Body	Brass, Note 1	Gold, Note 8
Center Contact: M	Brass, Note 11	Gold, Note 11
Insulation	Teflon, Note 5	None
Ferrule	--	--
Gasket	--	--
Hex Nut	--	--
Lock Washer	--	--



Lighthouse Technologies, Inc.
 9511 Ridgely Court, Suite B
 San Diego, California 92123
 Part Number: **SASM75GT-3**

Description SMA end launch PCB plug for 0.031" board. Gold plated Brass body	
Teflon dielectric, tab terminal	File Name
Scale 3:1	Drawing No. SASM75GT-3
	SASM75GT-3