

All components used in this connector conform to RoHS standards.



**Tolerances**  
 1-20=+/-0.2  
 20-30=+/-0.3  
 30-40=+/-0.4  
 40-50=+/-0.5  
 50-100=+/-0.75  
 100-300=+/-1.5  
 Angles=+/-1

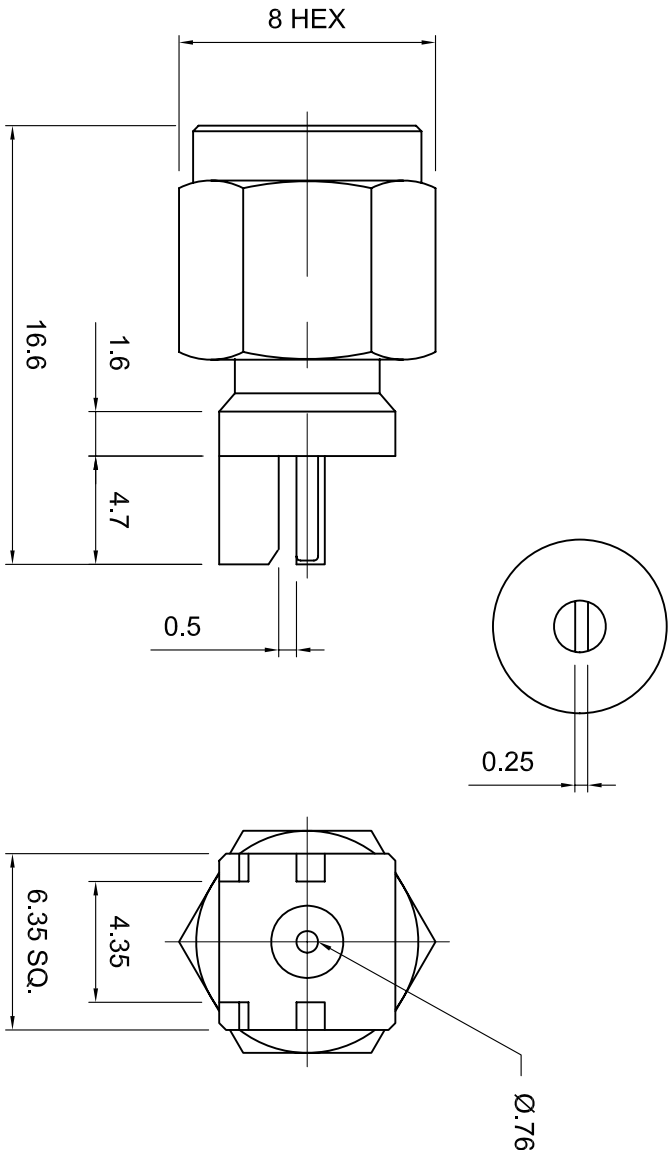
**Dimensions are in Millimeters**

Revisions	Approved	Date
Description/Approved/Date	Checked	Date
	Drawn	Date
	S.A.	10/22/08

NOTES (plating thickness in micro-inches):

- Per QQ-B-626
- Per QQ-S-764
- Per QQ-C-530
- Per QQ-B-750
- Per MIL-P-19468
- Per ZZ-R-765
- Per WW-T-799
- Gold pl. 5 min. over nickel pl. 50 min. over copper strike
- Nickel pl. 100 min. over copper strike
- Per QQ-P-35
- Gold pl. 30 min. over nickel pl. 50 min. over copper strike

**Approved by:**  
**Date:**



ITEM	MATERIAL	FINISH
Connector Body	Brass, Note 1	Gold, Note 8
Center Contact: M	Brass, Note 11	Gold, Note 11
Insulation	Teflon, Note 5	None
Ferrule	--	--
Gasket	--	--
Hex Nut	--	--
Lock Washer	--	--

**Lighthouse Technologies, Inc.**  
 9511 Ridgely Court, Suite B  
 San Diego, California 92123  
 Part Number: **SASM75GT-2**

Description	SMA end launch PCB plug for 0.020" board. Gold plated Brass body
Scale	Teflon dielectric, tab terminal
Scale	3:1
Drawing No.	SASM75GT-2
File Name	SASM75GT-2