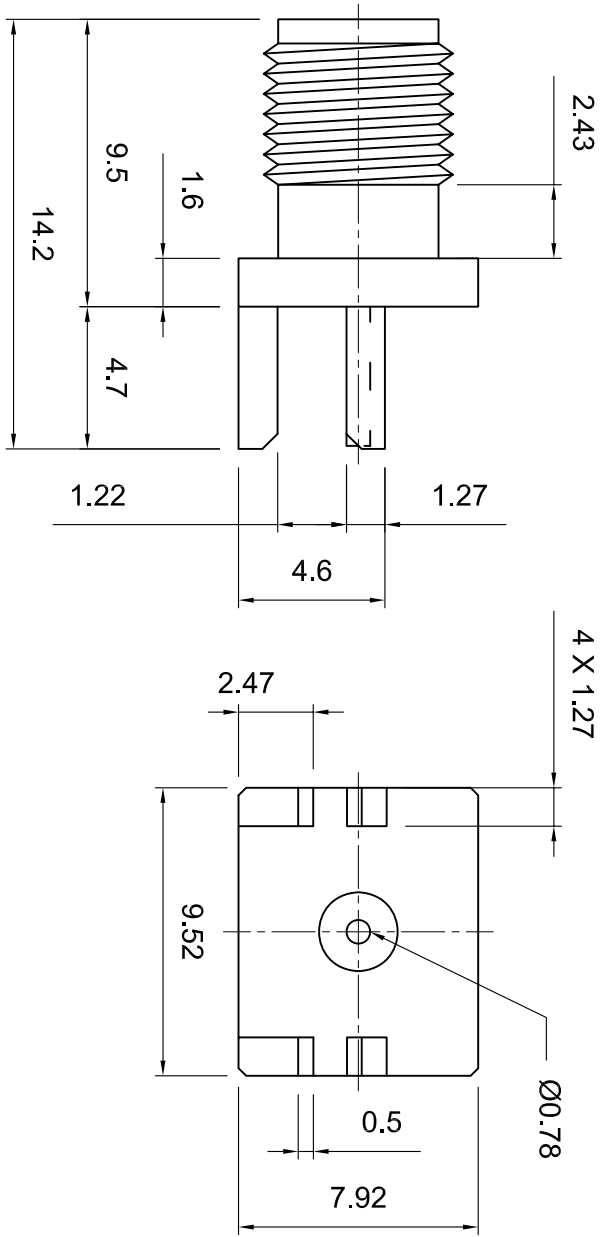


| Revisions | | Approved | Date |
|---------------------------|---------|----------|----------|
| Description/Approval/Date | Checked | | Date |
| | Drawn | S.A. | 10/23/08 |


| Tolerances | |
|----------------|--|
| 1-20=+/-0.2 | |
| 20-30=+/-0.3 | |
| 30-40=+/-0.4 | |
| 40-50=+/-0.5 | |
| 50-100=+/-0.75 | |
| 100-300=+/-1.5 | |
| Angles=+/-1 | |

Dimensions are in Millimeters

| NOTES (plating thickness in microinches): | |
|---|--|
| 1. Per QQ-B-626 | 6. Per ZZ-R-765 |
| 2. Per QQ-S-764 | 7. Per WW-1-799 |
| 3. Per QQ-C-530 | 8. Gold pl. 5 min. over nickel pl. 50 min. over copper strike |
| 4. Per QQ-B-750 | 9. Nickel pl. 100 min. over copper strike |
| | 10. Gold pl. 5 min. over nickel pl. 50 min. over copper strike |



| ITEM | MATERIAL | FINISH |
|-----------------|-------------------------|---------------|
| Connector Body | Brass, Note 1 | Gold, Note 8 |
| Center Contact: | Brass, Note 1 | Gold, Note 11 |
| Insulation | Teflon, Note 5 | None |
| Ferrule | Annealed Copper, Note 7 | Same as body |
| Gasket | Silicone Rubber, Note 6 | None |
| Hex Nut | Brass, Note 1 | Same as body |
| Lock Washer | | Same as body |

| | |
|---|--|
|  Lighthorse Technologies, Inc. 9511 Ridgely Court, Suite B San Diego, CA 92123 Part Number: LTI-SASF95ZGT-5 | Description |
| | SMA end launch jack for .048" PCB, wide flange, short version |
| Scale | 1:1 |
| Drawing No. | LTI-SASF95ZGT-5 |
| File Name | LTI-SASF95ZGT-5 |