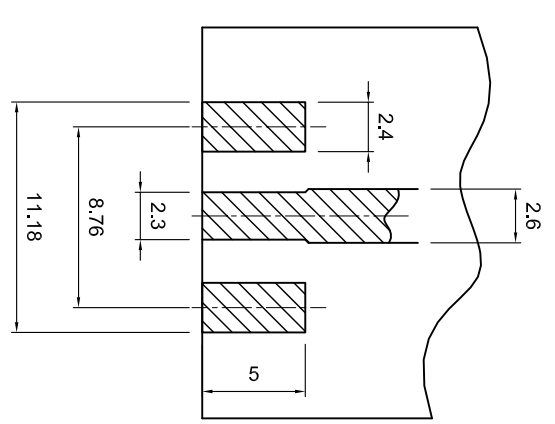
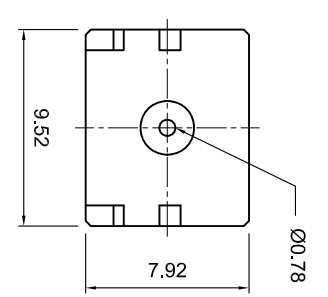
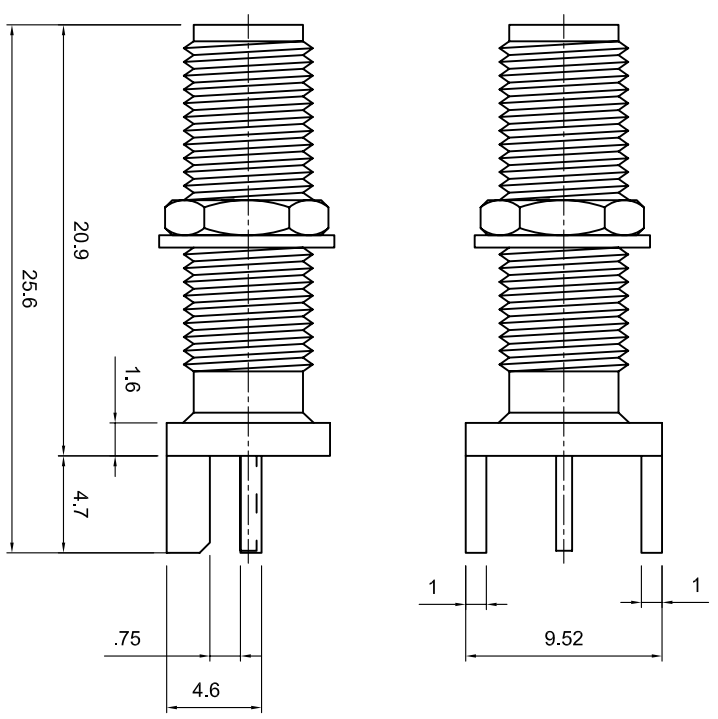


| Revisions | | Approved | Date |
|---------------------------|---------|----------|----------|
| Description/Approval/Date | Checked | | Date |
| | Drawn | S.A. | Date |
| | | | 10/23/08 |

Tolerances
1-20=+/-0.2
20-30=+/-0.3
30-40=+/-0.4
40-50=+/-0.5
50-100=+/-0.75
100-300=+/-1.5
Angles=+/-1

Dimensions are in Millimeters

NOTES (plating thickness in microinches):
1. Per QQ-B-626
2. Per QQ-S-764
3. Per QQ-C-530
4. Per QQ-B-750
5. Per MIL-P-19488
6. Per ZZ-R-765
7. Per WW-1-799
8. Gold pl. 5 min. over nickel pl. 50 min. over copper strike
9. Nickel pl. 100 min. over copper strike
10. Per QQ-P-35
11. Gold pl. 30 min. over nickel pl. 50 min. over copper strike



LANDING PAD DIMENSIONS

| ITEM | MATERIAL | FINISH |
|------------------------|----------------|---------------|
| Connector Body | Brass, Note 1 | Gold, Note 8 |
| Center Contact: Female | BeCu, Note 3 | Gold, Note 11 |
| Insulation | Teflon, Note 5 | None |
| Ferrule | -- | -- |
| Gasket | -- | -- |
| Hex Nut | Brass, Note 1 | Same as body |
| Lock Washer | Brass, Note 1 | Same as body |

Lighthouse Technologies, Inc.
9511 Ridgely Court, Suite B
San Diego, California 92123

Part Number:
LTI-SASF95LGT-3

| | | |
|---|-------------|-------------|
| Description SMA end launch jack, for .031" PCB, wide flange, long version. | | |
| Scale | Drawing No. | File Name |
| 3:1 | | SASF95LGT-3 |