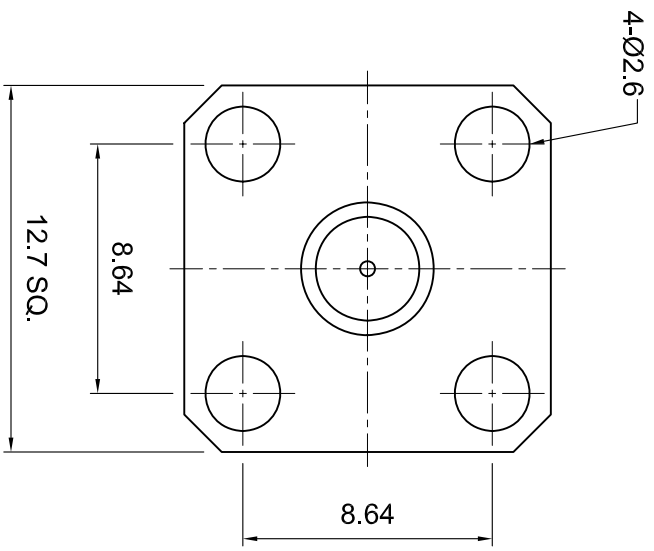
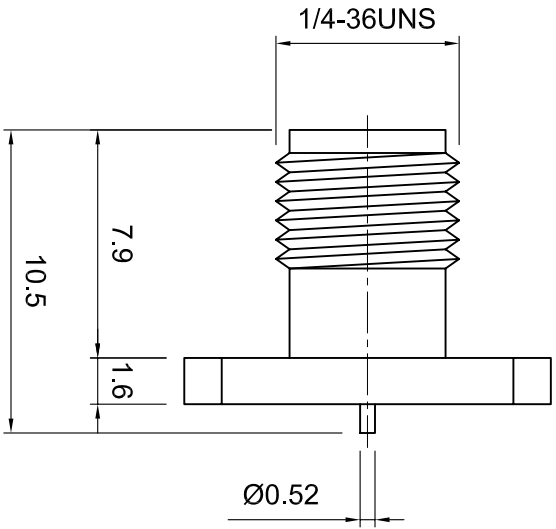


| Revisions                 |         | Approved | Date     |
|---------------------------|---------|----------|----------|
| Description/Approval/Date | Checked |          | Date     |
|                           | Drawn   |          | Date     |
|                           | S.A.    |          | 10/22/08 |

**Tolerances**  
1-20=+/-0.2  
20-30=+/-0.3  
30-40=+/-0.4  
40-50=+/-0.5  
50-100=+/-0.75  
100-300=+/-1.5  
Angles=+/-1

**Dimensions are in Millimeters**

**NOTES** (plating thickness in micro-inches):  
1. Per QQ-B-626  
2. Per QQ-S-764  
3. Per QQ-C-530  
4. Per QQ-B-750  
5. Per MIL-P-19488  
6. Per ZZ-R-765  
7. Per WW-1-799  
8. Gold pl. 5 min. over nickel pl. 50 min. over copper strike  
9. Nickel pl. 100 min. over copper strike  
10. Per QQ-P-35  
11. Gold pl. 5 min. over nickel pl. 50 min. over copper strike



| ITEM                   | MATERIAL       | FINISH        |
|------------------------|----------------|---------------|
| Connector Body         | Brass, Note 1  | Gold, Note 8  |
| Center Contact: Female | Brass, Note 1  | Gold, Note 11 |
| Insulation             | Teflon, Note 5 | None          |
| Ferrule                | --             | --            |
| Gasket                 | --             | --            |
| Hex Nut                | --             | --            |
| Lock Washer            | --             | --            |

**Lighthouse Technologies, Inc.**  
9511 Ridgely Court, Suite B  
San Diego, CA 92101

Part Number:  
**LTI-SASF92SFGT-P2**

|  |             |                               |
|--|-------------|-------------------------------|
| Description<br>SMA Precision 26.5 GHz panel mount jack |             |                               |
| Gold plated brass, teflon dielectric.                  |             |                               |
| Scale<br>1:1   | Drawing No. | File Name<br>SASF92SFGT-P26.5 |