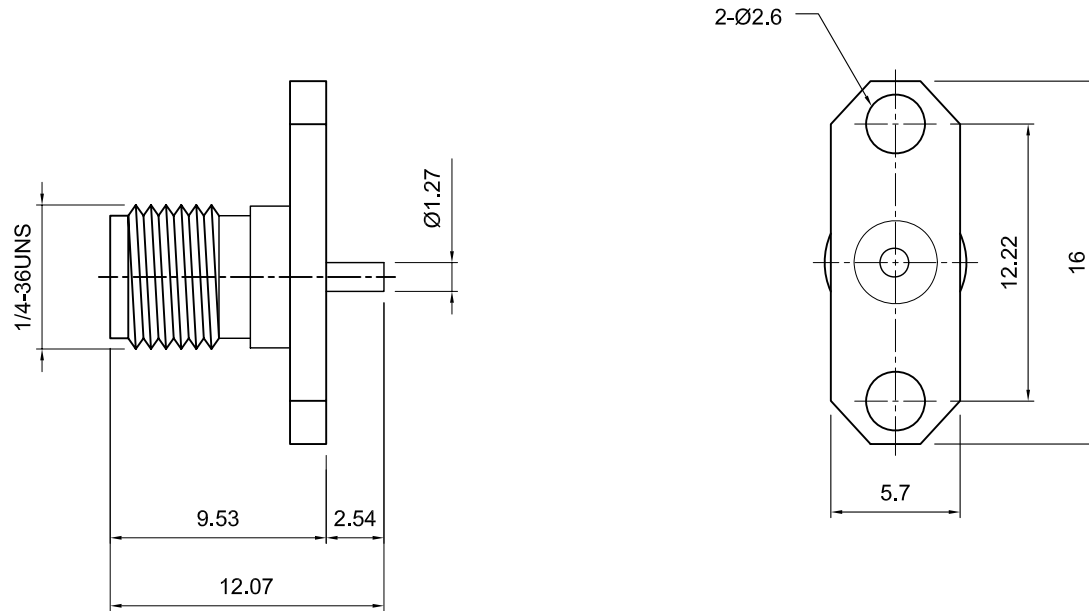



Tolerances 1-20=+/-0.2 20-30=+/-0.3 30-40=+/-0.4 40-50=+/-0.5 50-100=+/-0.75 100-300=+/-1.5 Angles=+/-1 Dimensions are In Millimeters	Revisions Description/Approved/Date	Approved M.H.	Date
		Checked M.H.	Date
		Drawn K.R.E.	Date
NOTES (plating thickness in micro-inches): 1. Per QQ-B-626 2. Per QQ-S-764 3. Per QQ-C-530 4. Per QQ-B-750 5. Per MIL-P-19468 6. Per ZZ-R-765 7. Per WW-T-799 8. Gold pl. 5 min. over nickel pl. 50 min. over copper strike 9. Nickel pl. 100 min. over copper strike 10. Per QQ-P-35 11. Gold pl. 5 min. over nickel pl. 50 min. over copper strike			



ITEM	MATERIAL	FINISH	 Lighthouse Technologies, Inc. 9511 Ridgehaven Court, Suite B San Diego, CA 92123 Part Number: LTI-SASF92NFGT		
Connector Body	Brass, Note 1	Gold, Note 8	Description SMA 2 Hole Panel Jack with Solder post termination		
Center Contact: F	BeCu Note 3	Gold, Note 11			
Insulation	Teflon, Note 5	None			
Ferrule	--	--			
Gasket	--	--			
Hex Nut	--	--			
Lock Washer	--	--			
			Scale 2:1	Drawing No. SASF92NFGT	File Name SASF92NFGT