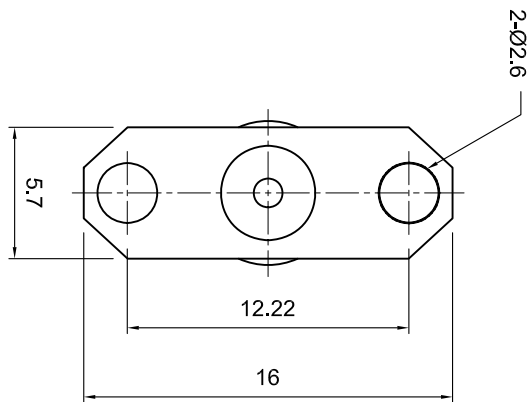
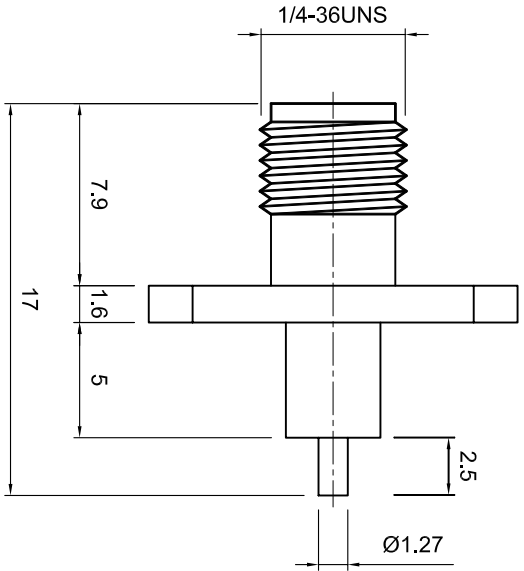


Tolerances 1-20=+/-0.2 20-30=+/-0.3 30-40=+/-0.4 40-50=+/-0.5 50-100=+/-0.75 100-300=+/-1.5 Angles=+/-1	Dimensions are in Millimeters	
	Revisions Description/Approval/Date 	Approved M.H. Checked M.H. Drawn K.R.E.
NOTES (plating thickness in microinches): 1. Per QQ-B-626 2. Per QQ-S-764 3. Per QQ-C-530 4. Per QQ-B-750 5. Per MIL-P-19488 6. Per ZZ-R-765 7. Per WW-1-799 8. Gold pl. 5 min. over nickel pl. 50 min. over copper strike 9. Nickel pl. 100 min. over copper strike 10. Per QQ-P-35 11. Gold pl. 30 min. over nickel pl. 50 min. over copper strike		



ITEM	MATERIAL	FINISH
Connector Body	Brass, Note 1	Gold, Note 8
Center Contact: Male	Beryllium Copper, Note 3	Gold, Note 11
Insulation	Teflon, Note 5	None
Ferrule	--	--
Gasket	--	--
Hex Nut	--	--
Lock Washer	--	--



Lighthorse Technologies, Inc.
9511 Ridgeway Court, Suite B
San Diego, CA 92101
Part Number:
LTI-SASF92DZNF

Description
SMA panel mount jack with 5 mm extended dielectric and narrow.
2-hole flange. Gold plated brass body, teflon dielectric.
Scale
3:1
Drawing No.
SMA/SASF92DZNF
File Name
SASF92DZNF