

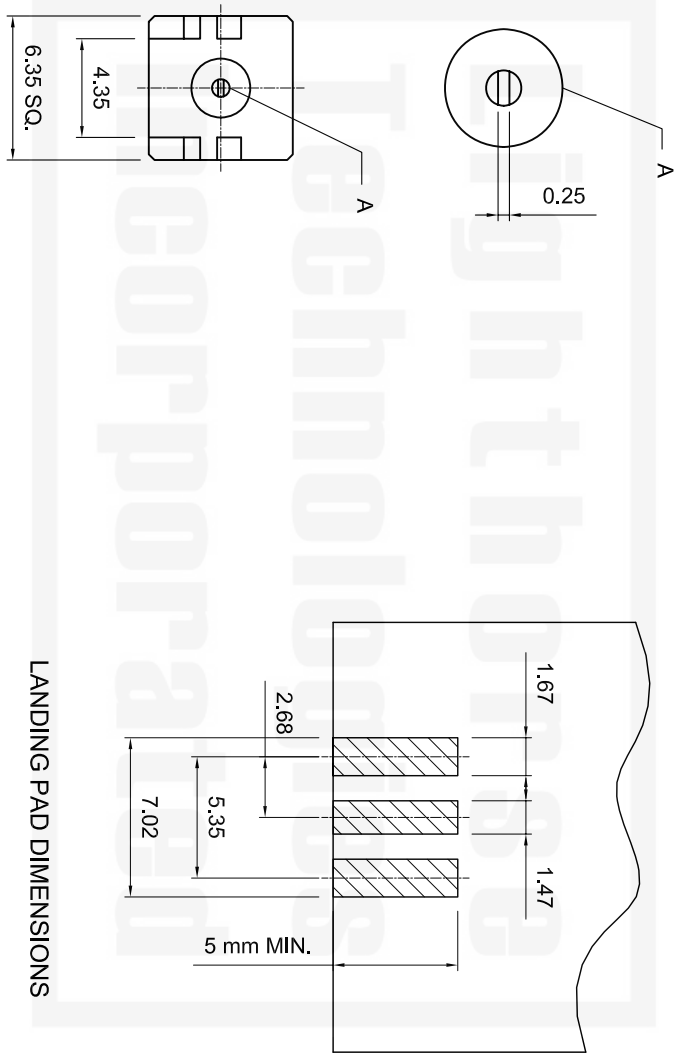
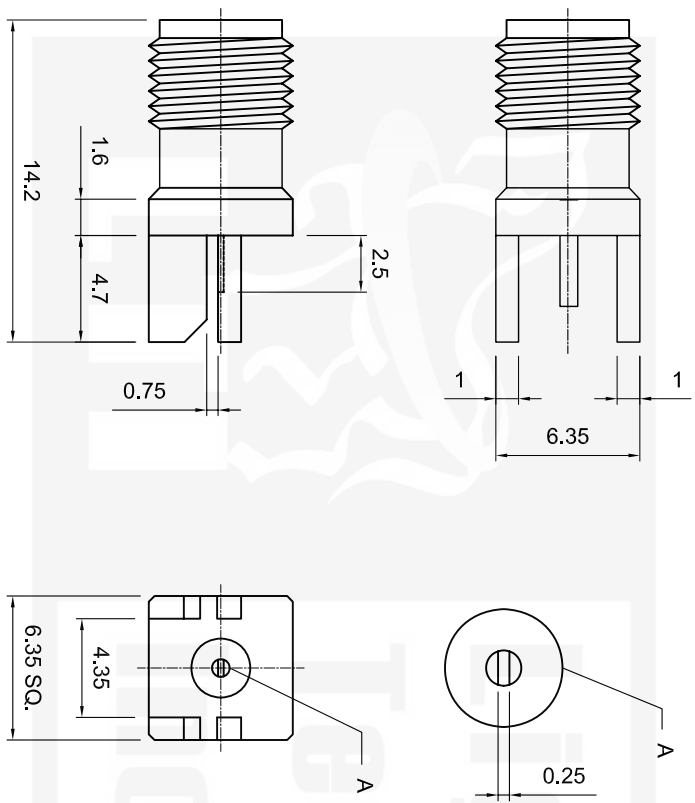
Tolerances	
1-20=+/-0.2	
20-30=+/-0.3	
30-40=+/-0.4	
40-50=+/-0.5	
50-100=+/-0.75	
100-300=+/-1.5	
Angles=+/-1	

**Dimensions are in Millimeters**

Revisions	Approved	Date
Description/Approval/Date	M.H.	08/15/02
	Checked	Date
	M.H.	08/15/02
	Drawn	Date
	M.D.L.	08/15/02


**NOTES** (plating thickness in microinches):

- Per QQ-B-626
- Per QQ-S-764
- Per QQ-C-530
- Per QQ-B-750
- Per MIL-P-19488
- Per ZZ-R-765
- Per WW-1-799
- Gold pl. 5 min. over nickel pl. 50 min. over copper strike
- Nickel pl. 100 min. over copper strike
- Per QQ-P-35
- Gold pl. 20 min. over nickel pl. 50 min. over copper strike



LANDING PAD DIMENSIONS

ITEM	MATERIAL	FINISH
Connector Body	Brass, Note 1	Gold, Note 8
Center Contact: F	Brass, Note 1	Gold, Note 11
Insulation	Teflon, Note 5	None
Ferrule		
Gasket		
Hex Nut		
Lock Washer		

 <p><b>Lighthouse Technologies, Inc.</b>                  9511 Ridgelyaven Ct., Suite B                  San Diego, California 92123                  Part Number: <b>LTI-SASF75ZGT-3</b></p>		
Description SMA end launch PCB jack with tab termination.		
Scale	Drawing No.	File Name
1:1	SASF75Z-3	SASF75Z-3