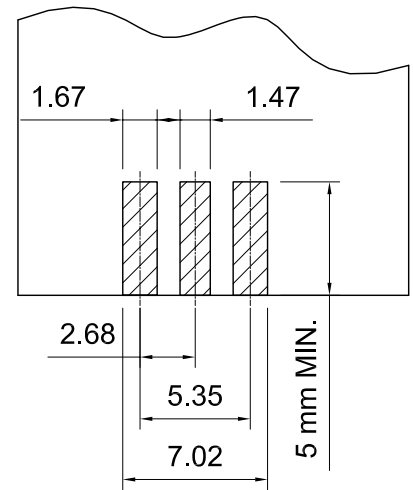
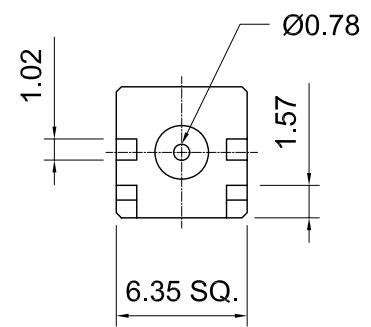
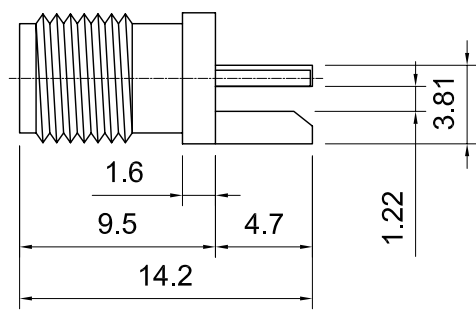
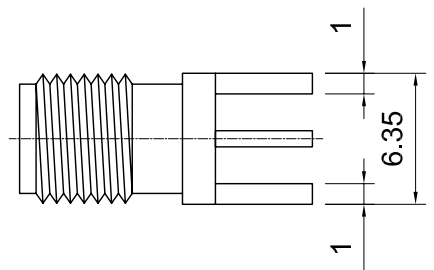



Tolerances 1-20=+/-0.2 20-30=+/-0.3 30-40=+/-0.4 40-50=+/-0.5 50-100=+/-0.75 100-300=+/-1.5 Angles=+/-1 Dimensions are In Millimeters	Revisions Description/Approved/Date	Approved M.H.	Date 03/10/99
		Checked M.H.	Date 03/10/99
		Drawn T.J.A.	Date 03/10/99
NOTES (plating thickness in micro-inches): 1. Per QQ-B-626 2. Per QQ-S-764 3. Per QQ-C-530 4. Per QQ-B-750 5. Per MIL-P-19468 6. Per ZZ-R-765 7. Per WW-T-799 8. Gold pl. 5 min. over nickel pl. 50 min. over copper strike 9. Nickel pl. 100 min. over copper strike 10. Per QQ-P-35 11. Gold pl. 30 min. over nickel pl. 50 min. over copper strike			



LANDING PAD DIMENSIONS

ITEM	MATERIAL	FINISH	Lighthouse Technologies, Inc.		
Connector Body	Brass, Note 1	Gold, Note 8	 5640 Kearny Mesa Road, Suite N San Diego, California 92111 Part Number: LTI-SASF55ZGT-4		
Center Contact: Female	BeCu, Note 3	Gold, Note 11			
Insulation	Teflon, Note 5	None	Description SMA end-launch jack for .042 and .048 mil board.		
Ferrule	--	--	Gold plated brass body, Teflon dielectric.		
Gasket	--	--	Scale 3:1	Drawing No.	File Name SASF55Z-4
Hex Nut	--	--			
Lock Washer	--	--			