

All components used in this connector conform to RoHS standards.



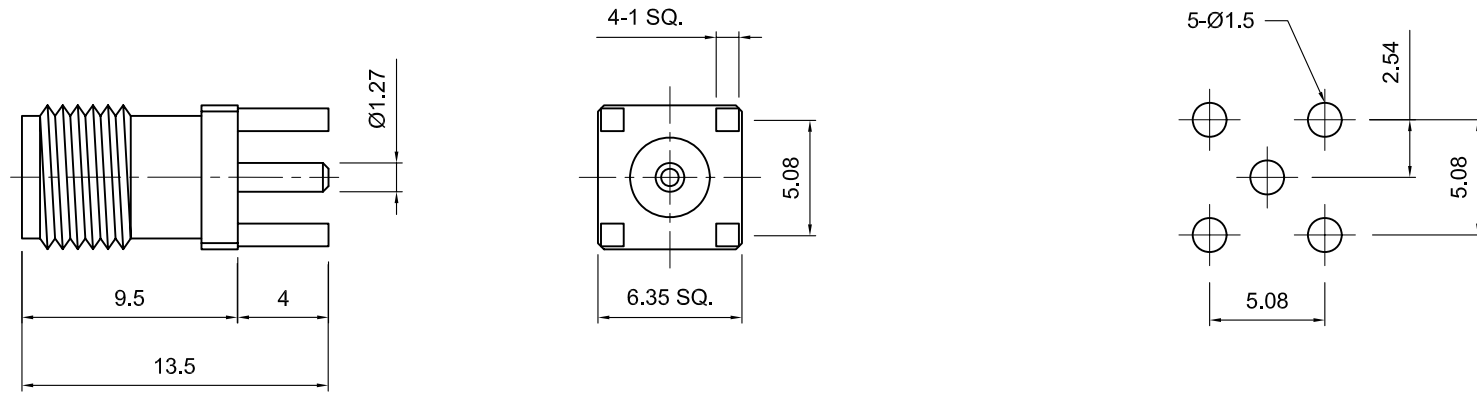
**Tolerances**

- 1-20=+/-0.2
- 20-30=+/-0.3
- 30-40=+/-0.4
- 40-50=+/-0.5
- 50-100=+/-0.75
- 100-300=+/-1.5
- Angles=+/-1

Dimensions are in Millimeters

Revisions Description/Approved/Date	Approved M.H.	Date 5/21/99
1. Step removed from design / M.H. / 6-12-01	Checked M.H.	Date 5/19/99
	Drawn K.R.E.	Date 5/19/99
NOTES (plating thickness in micro-inches): 1. Per QQ-B-626 2. Per QQ-S-764 3. Per QQ-C-530 4. Per QQ-B-750 5. Per MIL-P-19468 6. Per ZZ-R-765 7. Per WW-T-799 8. Gold pl. 5 min. over nickel pl. 50 min. over copper strike 9. Nickel pl. 100 min. over copper strike 10. Per QQ-P-35 11. Gold pl. 30 min. over nickel pl. 50 min. over copper strike		

Approved by:  
Date:



RECOMMENDED PCB LAYOUT

ITEM	MATERIAL	FINISH
Connector Body	Brass, Note 1	Gold, Note 8
Center Contact: F	Beryllium Copper, Note 3	Gold, Note 11
Insulation	Teflon, Note 5	None
Ferrule	--	--
Gasket	--	--
Hex Nut	--	--
Lock Washer	--	--

**Lighthouse Technologies, Inc.**  
 9511 Ridgehaven Court, Suite B  
 San Diego, California 92123  
 Part Number:  
**LTI-SASF54GT**

Description SMA vertical PCB thru hole jack. Gold plated brass body, teflon dielectric.		
Scale 3:1	Drawing No.	File Name SASF54