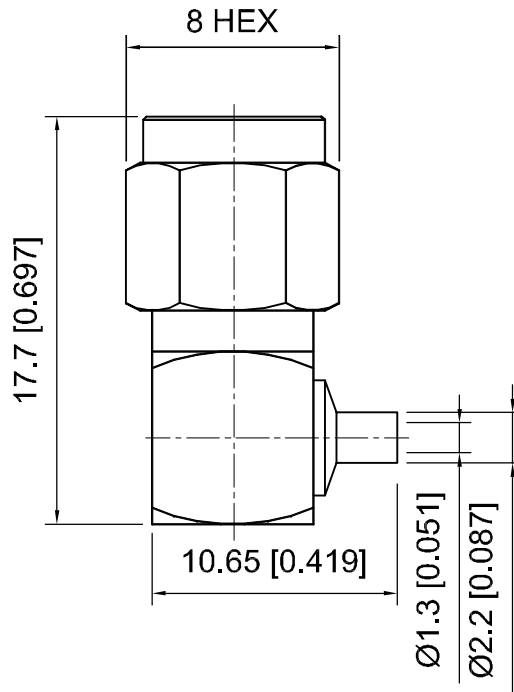



	<b>Tolerances</b>	Revisions	Approved	Date
	1-20=+/-0.2	Description/Approved/Date	M.H.	4/9/99
	20-30=+/-0.3		Checked	Date
30-40=+/-0.4		M.H.	4/7/99	
40-50=+/-0.5		Drawn	K.R.E.	Date
50-100=+/-0.75		NOTES (plating thickness in micro-inches):		
100-300=+/-1.5		1. Per QQ-B-626	5. Per MIL-P-19468	9. Nickel pl. 100 min. over copper strike
Angles=+/-1		2. Per QQ-S-764	6. Per ZZ-R-765	10. Per QQ-P-35
<b>Dimensions are in Millimeters</b>		3. Per QQ-C-530	7. Per WW-T-799	11. Gold pl. 30 min. over nickel pl. 50 min. over copper strike
		4. Per QQ-B-750	8. Gold pl. 5 min. over nickel pl. 50 min. over copper strike	



ITEM	MATERIAL	FINISH	Lighthouse Technologies, Inc.		
Connector Body	Brass, Note 1	Gold, Note 8		5640 Kearny Mesa Road, Suite N San Diego, California 92111	
Center Contact: Male	Brass, Note 1	Gold, Note 11		Part Number: <b>LTI-SALM31GT-047</b>	
Insulation	Teflon, Note 5	None	Description Right angle SMA solder plug for .047 semi-rigid cable.		
Ferrule	--	--	Gold plated brass body, teflon dielectric.		
Gasket	--	--	Scale	Drawing No.	File Name
Hex Nut	--	--	3:1	SMA/SALM31-047	SALM31-047
Lock Washer	--	--			