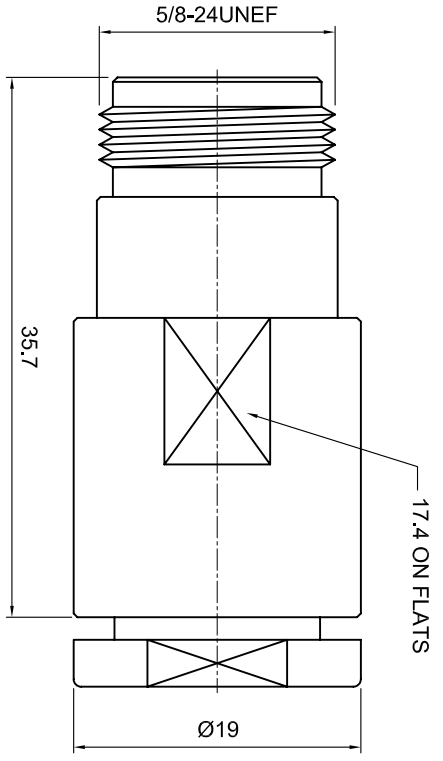



Tolerances 1-20=+/-0,2 20-30=+/-0,3 30-40=+/-0,4 40-50=+/-0,5 50-100=+/-0,75 100-300=+/-1,5 Angles=+/-1	Dimensions are in Millimeters		
	Revisions Description/Approval/Date 	Approved M.H. 	Date
NOTES (plating thickness in microinches): 1. Per QQ-B-626 2. Per QQ-S-764 3. Per QQ-C-530 4. Per QQ-B-750	5. Per MIL-P-19488 6. Per ZZ-R-765 7. Per WW-1-799 8. Gold pl. 5 min. over nickel pl. 50 min. over copper strike 9. Nickel pl. 100 min. over copper strike 10. Per QQ-P-35 11. Gold pl. 5 min. over nickel pl. 50 min. over copper strike	Drawn K.R.E. 	Date



ITEM	MATERIAL	FINISH	 Lighthorse Technologies, Inc. 4907 Morena Boulevard, #1411 San Diego, California 92117 Part Number: NSF21NT-213	Description N Clamp on Jack for RG 213	
Connector Body	Brass, Note 1	Nickel, Note 9			
Center Contact: F	Phosphor Bronze, Note 4	Gold, Note 11			
Insulation	Teflon, Note 5	None			
Ferrule	--	--			
Gasket	Silicone Rubber, Note 6	None	Scale 1:1	Drawing No. NSF21NT-213	File Name NSF21NT-213
Hex Nut	Brass, Note 1	Same as body			
Lock Washer	same as body	Same as body			