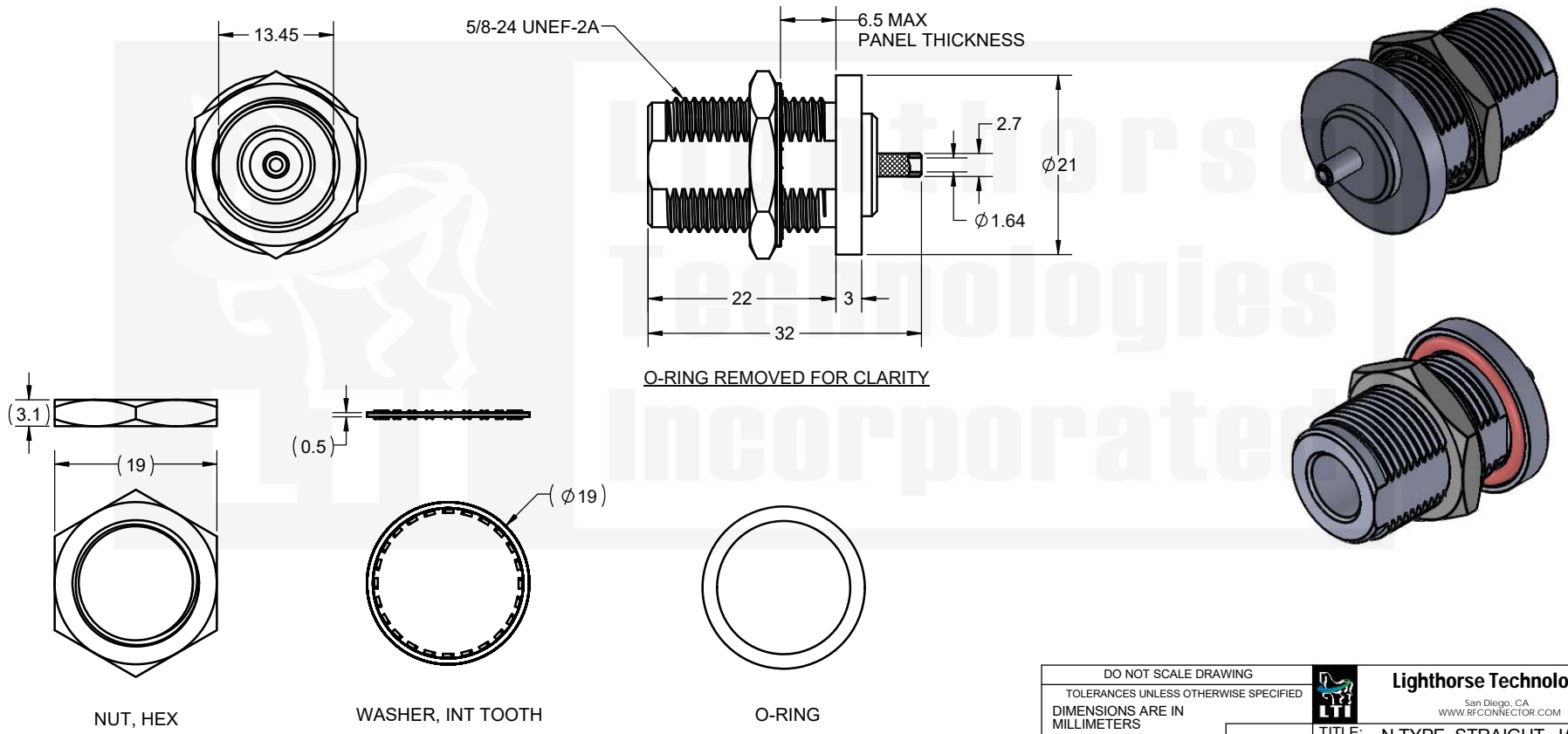


ITEM:	MATERIAL:	FINISH:	NOTES:
CONNECTOR BODY	BRASS, NOTE 1	NICKEL, NOTE 9	1. PER QQ-B-626 2. PER QQ-S-764 3. PER QQ-C-530 4. PER QQ-B-750 5. PER MIL-P-19468 6. PER ZZ-R-765 7. PER WW-T-799 8. GOLD PLATED 5µin MIN. OVER NICKEL PLATE 50µin MIN. OVER COPPER STRIKE. 9. NICKEL PLATE 100µin MIN. OVER COPPER STRIKE. 10. PER ASTM-A967 11. GOLD PLATE 30µin MIN. OVER NICKEL PLATE 50µin MIN. OVER COPPER STRIKE. 12. TIN ZINC PLATE 100µin MIN. OVER COPPER STRIKE.
CENTER CONTACT	BERYLLIUM COPPER, NOTE 3	GOLD, NOTE 8	
INSULATION	TEFLON, NOTE 5	----	
FERRULE	ANNEALED COPPER, NOTE 7	NICKEL, NOTE 9	
GASKET	SILICONE, NOTE 6	----	
HEX NUT	BRASS, NOTE 1	NICKEL, NOTE 9	
LOCK WASHER	BRASS, NOTE 1	NICKEL, NOTE 9	

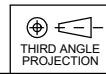
REVISIONS				
REV	ECR	DESCRIPTION	DRAWN	DATE
1		ENGINEERING RELEASE	P. BURDGE	09/10/2012
2		REMOVED O-RING FOR CLARITY ON CONNECTOR BODY, ADDED ADDED O-RING DETAIL.	P. BURDGE	12/23/2022



PROPRIETARY AND CONFIDENTIAL  
 UNLESS OTHERWISE SPECIFIED: THIS DOCUMENT CONTAINS LIGHORSE TECHNOLOGIES INFORMATION. REPRODUCTION, USE, DISCLOSURE OR TRANSMITTAL OF ALL OR ANY PART OF THIS DOCUMENT IS PROHIBITED EXCEPT TO THE EXTENT APPROVED IN WRITING BY AN AUTHORIZED REPRESENTATIVE OF LIGHORSE TECHNOLOGIES. LIGHORSE TECHNOLOGIES RESERVES ALL RIGHTS UNDER PATENTS, TRADEMARKS, COPYRIGHTS AND TRADE SECRETS. COPY RIGHTS OF LIGHORSE TECHNOLOGIES 2011, ALL RIGHTS RESERVED.



DO NOT SCALE DRAWING  
 TOLERANCES UNLESS OTHERWISE SPECIFIED  
 DIMENSIONS ARE IN MILLIMETERS  
 X = ±0.5  
 X.X = ±0.25  
 X.XX = ±0.13  
 ANGLE = ±30°



**Lighthouse Technologies**  
 San Diego, CA  
 WWW.RFCCONNECTOR.COM

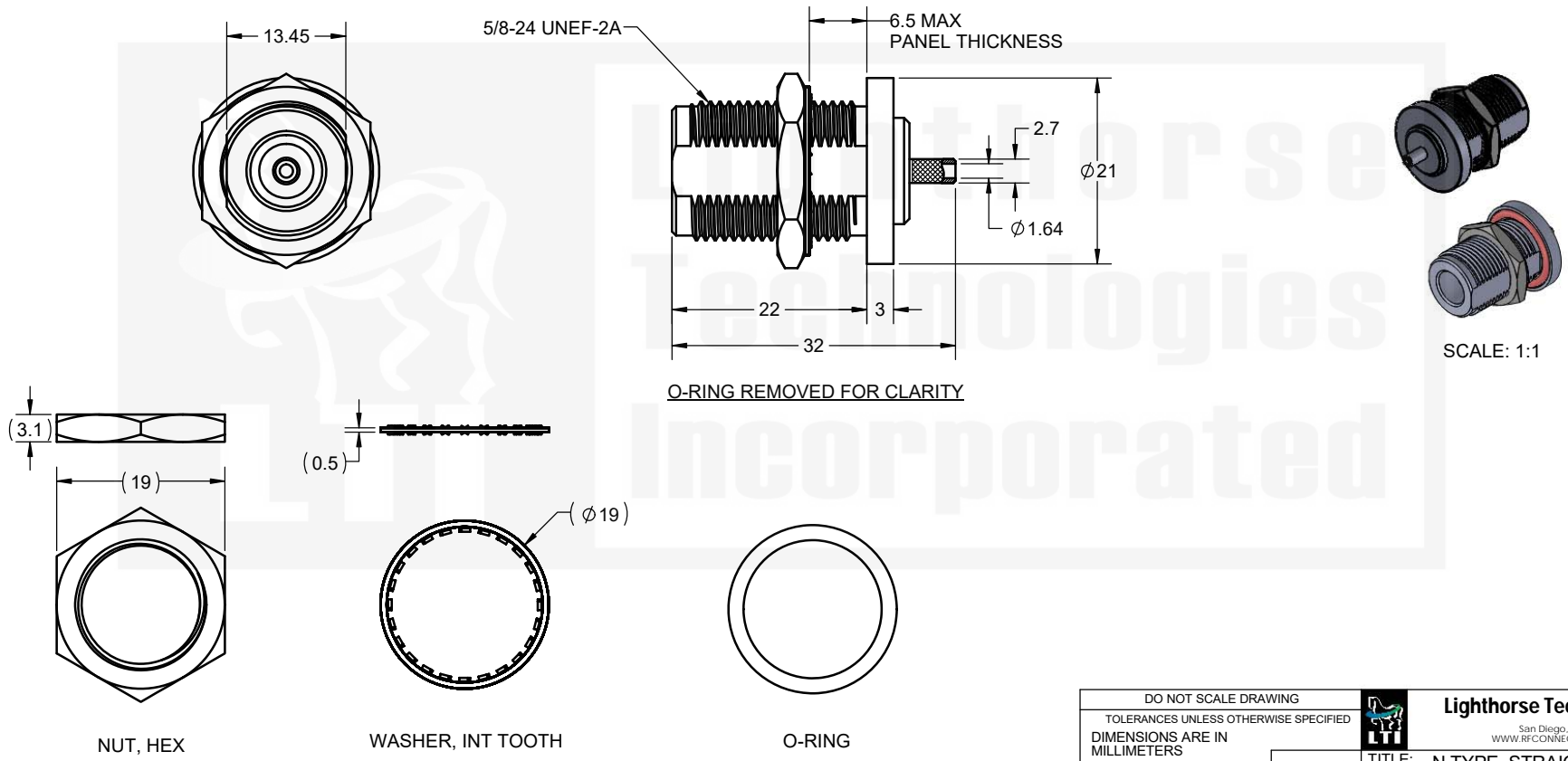
CUSTOMER APPROVAL  
 SIGN / DATE:  
 ENG APPR.  
 CHECKED  
 DRAWN P. BURDGE 09/10/12  
 NAME DATE

TITLE: N TYPE, STRAIGHT, JACK  
 CABLE CRIMP, REAR BULKHEAD  
 MOUNT, O-RING, IP-67

SIZE PART/DWG. NO: REV  
**B** NSF13RNT-316 2  
 SCALE: 2:1 FILE NAME SHEET 1 OF 2

ITEM:	MATERIAL:	FINISH:	NOTES:
CONNECTOR BODY	BRASS, NOTE 1	NICKEL, NOTE 9	1. PER QQ-B-626 2. PER QQ-S-764 3. PER QQ-C-530 4. PER QQ-B-750 5. PER MIL-P-19468 6. PER ZZ-R-765 7. PER WW-T-799 8. GOLD PLATED 5µin MIN. OVER NICKEL PLATE 50µin MIN. OVER COPPER STRIKE. 9. NICKEL PLATE 100µin MIN. OVER COPPER STRIKE. 10. PER ASTM-A967 11. GOLD PLATE 30µin MIN. OVER NICKEL PLATE 50µin MIN. OVER COPPER STRIKE. 12. TIN ZINC PLATE 100µin MIN. OVER COPPER STRIKE.
CENTER CONTACT	BERYLLIUM COPPER, NOTE 3	GOLD, NOTE 8	
INSULATION	TEFLON, NOTE 5	----	
FERRULE	ANNEALED COPPER, NOTE 7	NICKEL, NOTE 9	
GASKET	SILICONE, NOTE 6	----	
HEX NUT	BRASS, NOTE 1	NICKEL, NOTE 9	
LOCK WASHER	BRASS, NOTE 1	NICKEL, NOTE 9	

REVISIONS				
REV	ECR	DESCRIPTION	DRAWN	DATE
1		ENGINEERING RELEASE	P. BURDGE	09/10/2012



**PROPRIETARY AND CONFIDENTIAL**  
 UNLESS OTHERWISE SPECIFIED: THIS DOCUMENT CONTAINS LIGHORSE TECHNOLOGIES INFORMATION. REPRODUCTION, USE, DISCLOSURE OR TRANSMITTAL OF ALL OR ANY PART OF THIS DOCUMENT IS PROHIBITED EXCEPT TO THE EXTENT APPROVED IN WRITING BY AN AUTHORIZED REPRESENTATIVE OF LIGHORSE TECHNOLOGIES. LIGHORSE TECHNOLOGIES RESERVES ALL RIGHTS UNDER PATENTS, TRADEMARKS, COPYRIGHTS AND TRADE SECRETS. COPY RIGHTS OF LIGHORSE TECHNOLOGIES 2011, ALL RIGHTS RESERVED.



DO NOT SCALE DRAWING  
 TOLERANCES UNLESS OTHERWISE SPECIFIED  
 DIMENSIONS ARE IN MILLIMETERS  
 X = ±0.5  
 X.X = ±0.25  
 X.XX = ±0.13  
 ANGLE = ±30°

**Lighthouse Technologies**  
 San Diego, CA  
 WWW.RFCONNECTOR.COM

**CUSTOMER APPROVAL**  
 SIGN / DATE: \_\_\_\_\_  
 ENG APPR. \_\_\_\_\_  
 CHECKED \_\_\_\_\_  
 DRAWN P. BURDGE 09/10/12  
 NAME DATE

**THIRD ANGLE PROJECTION**  
 TITLE: N TYPE, STRAIGHT, JACK  
 CABLE CRIMP, REAR BULKHEAD  
 MOUNT, O-RING, IP-67

SIZE PART/DWG. NO: REV  
**B** NSF13RNT-316 2  
 SCALE: 2:1 FILE NAME SHEET 2 OF 2