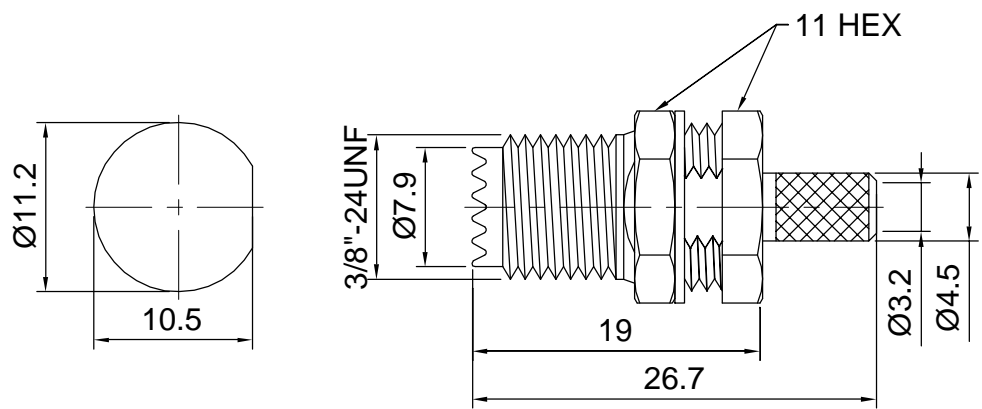


Tolerances 1-20=+/-0.2 20-30=+/-0.3 30-40=+/-0.4 40-50=+/-0.5 50-100=+/-0.75 100-300=+/-1.5 Angles=+/-1 Dimensions are in Millimeters	Revisions Description/Approved/Date	Approved M.H.	Date 07/14/99
		Checked M.H.	Date 07/14/99
		Drawn K.R.E.	Date 07/14/99
NOTES (plating thickness in micro-inches):			
1. Per QQ-B-626	5. Per MIL-P-19468	9. Nickel pl. 100 min. over copper strike	
2. Per QQ-S-764	6. Per ZZ-R-765	10. Per QQ-P-35	
3. Per QQ-C-530	7. Per WW-T-799	11. Gold pl. 30 min. over nickel pl. 50 min. over copper strike	
4. Per QQ-B-750	8. Gold pl. 50 min. over nickel pl. 50 min. over copper strike		



ITEM	MATERIAL	FINISH
Connector Body	Brass, Note 1	Nickel, Note 9
Center Contact: Female	Beryllium Copper, Note 3	Gold, Note 11
Insulation	Teflon, Note 5	None
Ferrule	Annealed Copper, Note 7	Same as body
Gasket	--	--
Hex Nut	Brass, Note 1	Same as body
Lock Washer	Brass, Note 1	Same as body

Lighthouse Technologies, Inc.
4907 Morena Boulevard, #1411
San Diego, California 92117

Part Number:
LTI-MSF13NT-58

Description Mini-UHF Bulkhead Crimp Jack for RG-58		
Scale 2:1	Drawing No. M/MSF13	File Name MSF13