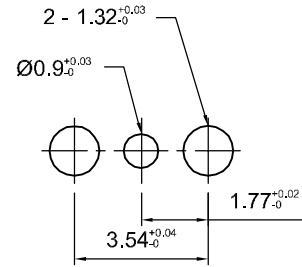
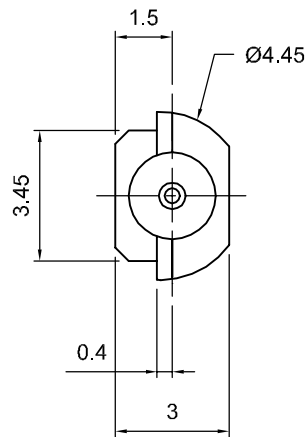
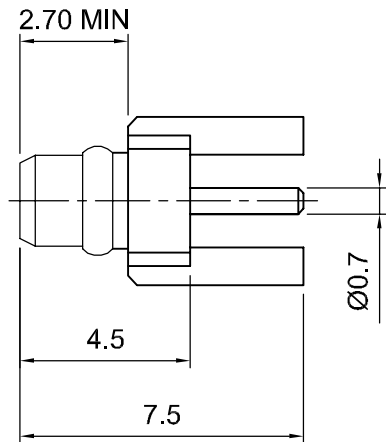
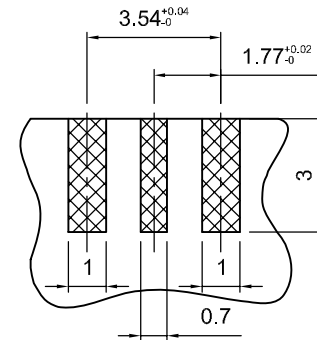


	Tolerances 1-20=+/-0.2 20-30=+/-0.3 30-40=+/-0.4 40-50=+/-0.5 50-100=+/-0.75 100-300=+/-1.5 Angles=+/-1 Dimensions are in Millimeters	Revisions	Approved	Date
		Description/Approved/Date	M.H.	03/15/02
			Checked	Date
			M.H.	03/15/02
		Drawn	Date	
		K.R.E.	03/12/02	
NOTES (plating thickness in micro-inches):		5. Per MIL-P-19468	9. Nickel pl. 100 min. over copper strike	
1. Per QQ-B-626	6. Per ZZ-R-765	10. Per QQ-P-35		
2. Per QQ-S-764	7. Per WW-T-799	11. Gold pl. 30 min. over nickel pl. 50 min. over copper strike		
3. Per QQ-C-530	8. Gold pl. 5 min. over nickel pl. 50 min. over copper strike			
4. Per QQ-B-750				



RECOMMENDED
PCB HOLE LAYOUT



RECOMMENDED
SOLDER PAD LAYOUT

ITEM	MATERIAL	FINISH
Connector Body	Brass, Note 1	Gold, Note 8
Center Contact: Male	Beryllium Copper, Note 3	Gold, Note 11
Insulation	Teflon, Note 5	None
Ferrule	--	--
Gasket	--	--
Hex Nut	--	--
Lock Washer	--	--



Lighthouse Technologies, Inc.
5640 Kearny Mesa Road, Suite N
San Diego, California 92111
Part Number:
LTI-MCSM56ZGT

Description
MMCX vertical or edge mount PCB plug, short version. Gold plated

brass body, teflon dielectric.

Scale 5:1	Drawing No.	File Name MCSM56Z
--------------	-------------	----------------------