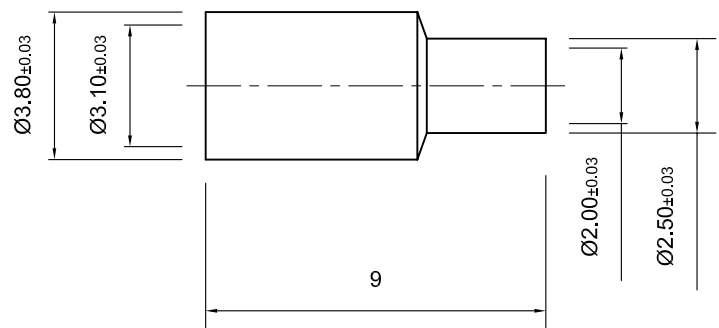
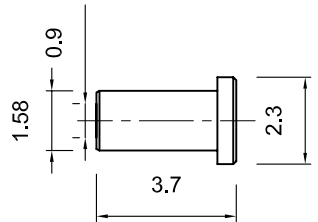
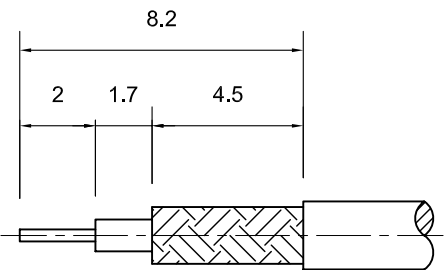
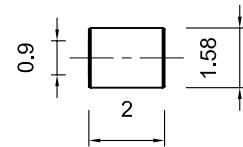
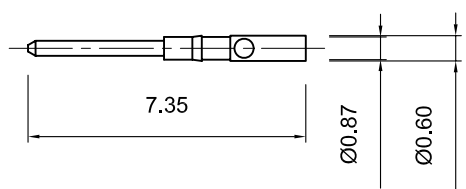
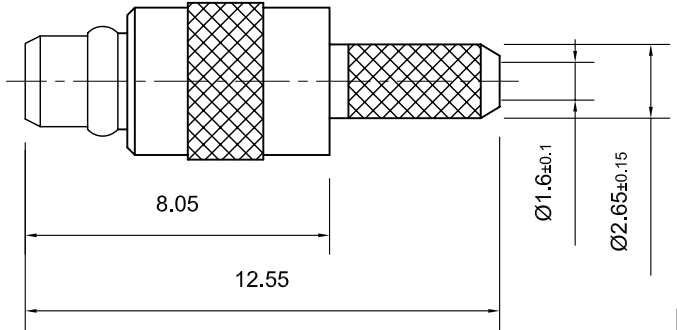



Tolerances 1-20=+/-0.2 20-30=+/-0.3 30-40=+/-0.4 40-50=+/-0.5 50-100=+/-0.75 100-300=+/-1.5 Angles=+/-1 Dimensions are in Millimeters	Revisions	Approved	Date
	Description/Approved/Date	M.H.	01/06/00
		Checked	Date
	M.H.	01/06/00	
	Drawn	Date	
	K.R.E.	01/05/00	
NOTES (plating thickness in micro-inches):			
1. Per QQ-B-626	5. Per MIL-P-19468	9. Nickel pl. 100 min. over copper strike	
2. Per QQ-S-764	6. Per ZZ-R-765	10. Per QQ-P-35	
3. Per QQ-C-530	7. Per WW-T-799	11. Gold pl. 30 min. over nickel pl. 50 min. over copper strike	
4. Per QQ-B-750	8. Gold pl. 5 min. over nickel pl. 50 min. over copper strike		



RECOMMENDED STRIPPING DIMS

ITEM	MATERIAL	FINISH	 Lighthouse Technologies, Inc. 5640 Kearny Mesa Road, Suite N San Diego, California 92111 Part Number: LTI-MCSM11GT-178		
Connector Body	Brass, Note 1	Gold, Note 8	Description MMCX straight crimp plug for RG-178 cable, with Teflon insert and		
Center Contact: Male	Brass, Note 1	Gold, Note 11			
Insulation	Teflon, Note 5	None	metal bushing. Gold plated brass body, teflon dielectric.		
Ferrule	Annealed Copper, Note 7	Same as body			
Gasket	--	--	Scale	Drawing No.	File Name
Hex Nut	Brass, Note 1	--	5:1		MCSM11-178
Lock Washer	--	--			