

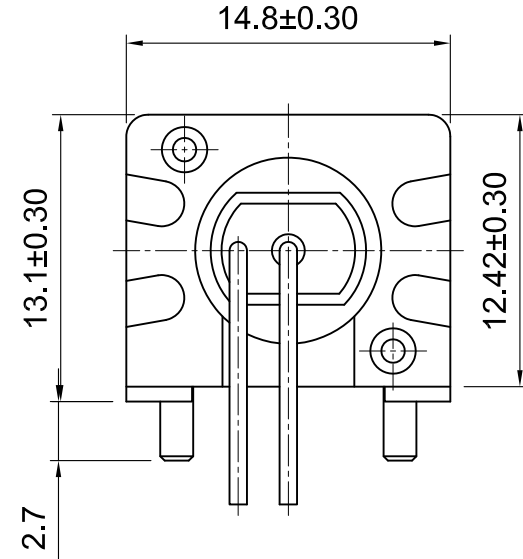
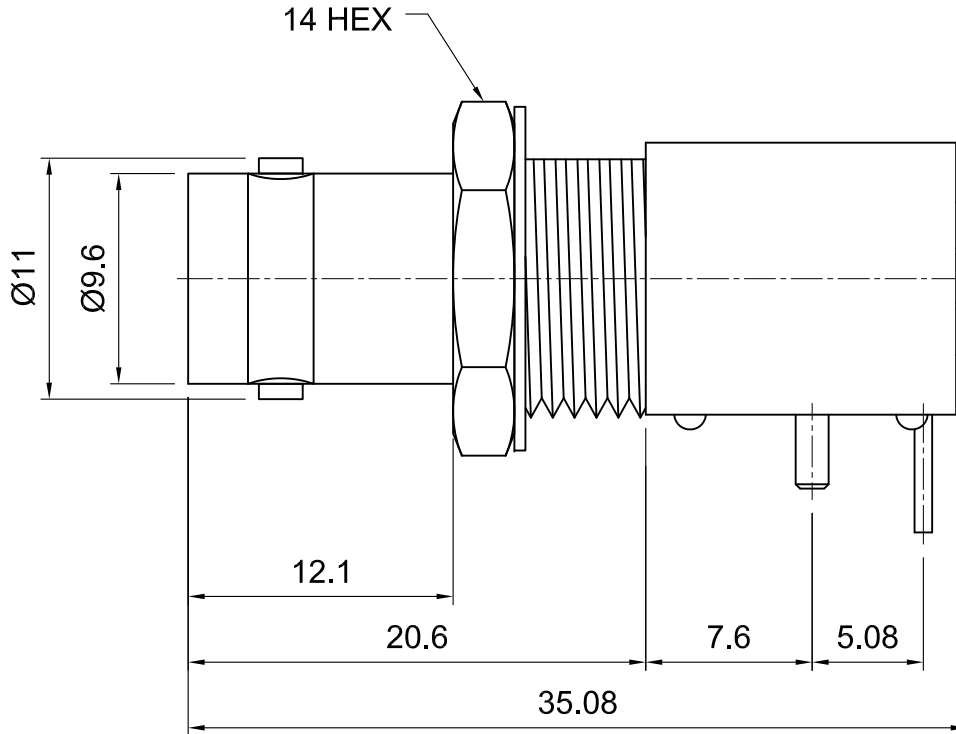
All components used in this connector conform to RoHS standards.
PBT Housing conforms to UL94 V-0 flammability rating.

Approved by:
Date:



Tolerances
1-20=+/-0.2
20-30=+/-0.3
30-40=+/-0.4
40-50=+/-0.5
50-100=+/-0.75
100-300=+/-1.5
Angles=+/-1
Dimensions are in Millimeters

Revisions Description/Approved/Date	Approved M.H.	Date 09/13/04
Added plastic housing material for UL certificate cross reference, 2014/08/07 RP	Checked M.H.	Date 09/13/04
	Drawn K.R.E.	Date 09/13/04
NOTES (plating thickness in micro-inches): 5. Per MIL-P-19468 6. Per ZZ-R-765 7. Per WW-T-799 8. Gold pl. 5 min, over nickel pl. 50 min, over copper strike 9. Nickel pl. 100 min. over copper strike 10. Per QQ-P-35 11. Gold pl. 5 min. over nickel pl. 50 min. over copper strike		



ITEM	MATERIAL	FINISH
Connector Body	Diecast Zinc Alloy, PBT housing	Nickel, Note 9; PBT Housing part# 1403G6
Center Contact:F	Phosphor Bronze	Gold, Note 11
Insulation	none	none
Ferrule	--	--
Gasket	--	--
Hex Nut	Brass, Note 1	same as body
Lock Washer	Brass, Note 1	same as body

Lighthouse Technologies, Inc.

9511 Ridgehaven Court, Suite B
San Diego, CA 92123

Part Number:
LTI-7BLF54MNPB-ND

Description		
75 Ohm BNC right angle PCB thru-hole jack, 13.1 mm profile		
w/black housing. Nickel plated brass body no dielectric.		
Scale	Drawing No.	File Name
1:1	7BLF54MNPB	7BLF54MNPB