

All components used in this connector conform to RoHS standards.



Tolerances

- 1-20=+/-0.2
- 20-30=+/-0.3
- 30-40=+/-0.4
- 40-50=+/-0.5
- 50-100=+/-0.75
- 100-300=+/-1.5
- Angles=+/-1

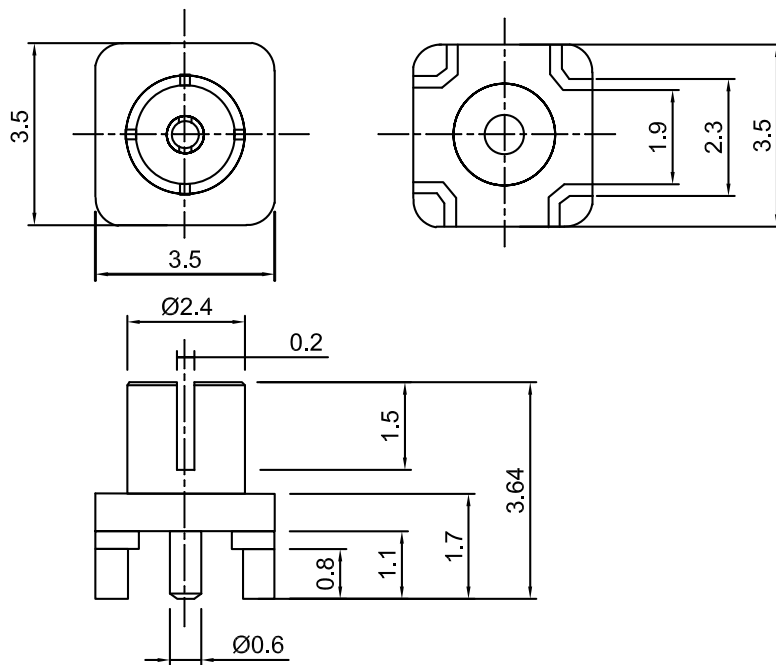
Dimensions are in Millimeters

Revisions Description/Approved/Date	Approved MH	Date 11/25/08
	Checked LM	Date 11/25/08
	Drawn SA	Date 11/25/08
NOTES (plating thickness in micro-inches):	5. Per MIL-P-19468	9. Nickel pl. 100 min. over copper strike
1. Per QQ-B-626	6. Per ZZ-R-765	10. Per QQ-P-35
2. Per QQ-S-764	7. Per WW-T-799	11. Gold pl. 30 min. over nickel pl. 50 min. over copper strike
3. Per QQ-C-530	8. Gold pl. 5 min. over nickel pl. 50 min. over copper strike	
4. Per QQ-B-750		

Approved by:
Date:

HISTORY OF REVISIONS

- 1. Changed p/n from LTI-IPXSM54GT to LTI-IPXSF54GT.
08/04/09 TJA



ITEM	MATERIAL	FINISH
Connector Body	Brass, Note 1	Gold, Note 8
Center Contact: F	BeCu, Note 3	Gold, Note 11
Insulation	Teflon, Note 5	--
Ferrule	--	--
Gasket	--	--
Hex Nut	--	--
Lock Washer	--	--

Lighthouse Technologies, Inc.

9511 Ridgehaven Court, Suite B
San Diego, California 92123

Part Number:
LTI-IPXSF54GT

Description		
IPX thru Hole Jack receptacle, gold plated brass, Teflon dielectric		
Mates to IPXSF66GP		
Scale	Drawing No.	File Name
4:1	IPXSF54GT	IPXSF54GT