

RoHS Compliant

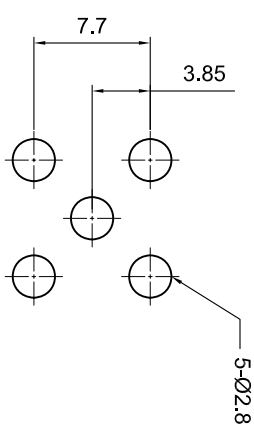
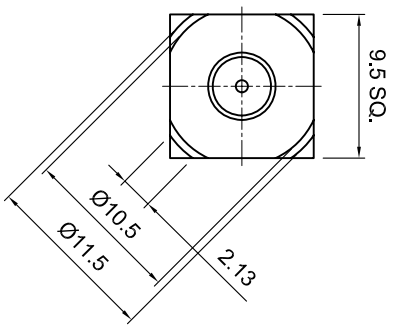
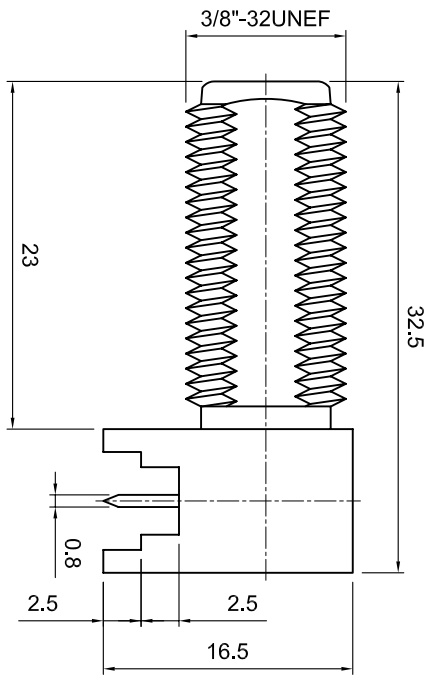
Tolerances	
1-20=+/-0.2	
20-30=+/-0.3	
30-40=+/-0.4	
40-50=+/-0.5	
50-100=+/-0.75	
100-300=+/-1.5	
Angles=+/-1	

Dimensions are in Millimeters

Revisions	
Description/Approved/Date	Approved M.H. 3/1/1999
Checked M.H.	Date 3/1/1999
Drawn K.R.E.	Date 3/1/1999

NOTES (plating thickness in microinches):

- Per QQ-B-626
- Per QQ-S-764
- Per QQ-C-530
- Per QQ-B-750
- Per MIL-P-19488
- Per ZZ-R-765
- Per WW-1-799
- Gold pl. 5 min. over nickel pl. 50 min. over copper strike
- Nickel pl. 100 min. over copper strike
- Per QQ-P-35
- Gold pl. 5 min. over nickel pl. 50 min. over copper strike



ITEM	MATERIAL	FINISH
Connector Body	Brass, Note 1	Nickel, Note 9
Center Contact: F	Brass, Note 1	Nickel
Insulation	Teflon	None
Ferrule	--	--
Gasket	--	--
Hex Nut	--	--
Lock Washer	--	--

Lighthorse Technologies, Inc.
 4907 Morena Boulevard, #1411
 San Diego, California 92117
 Part Number: **LT1-FLF54LNT**

Description F Right angle PCB thru hole, long barrel version		
Scale 2:1	Drawing No. FLF54L	File Name FLF54LNT