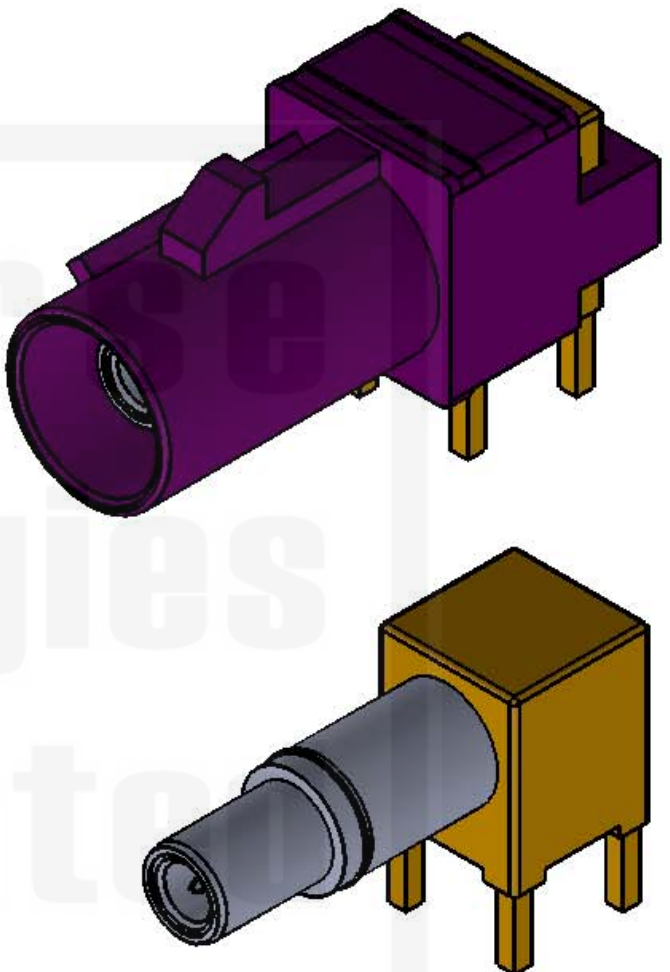
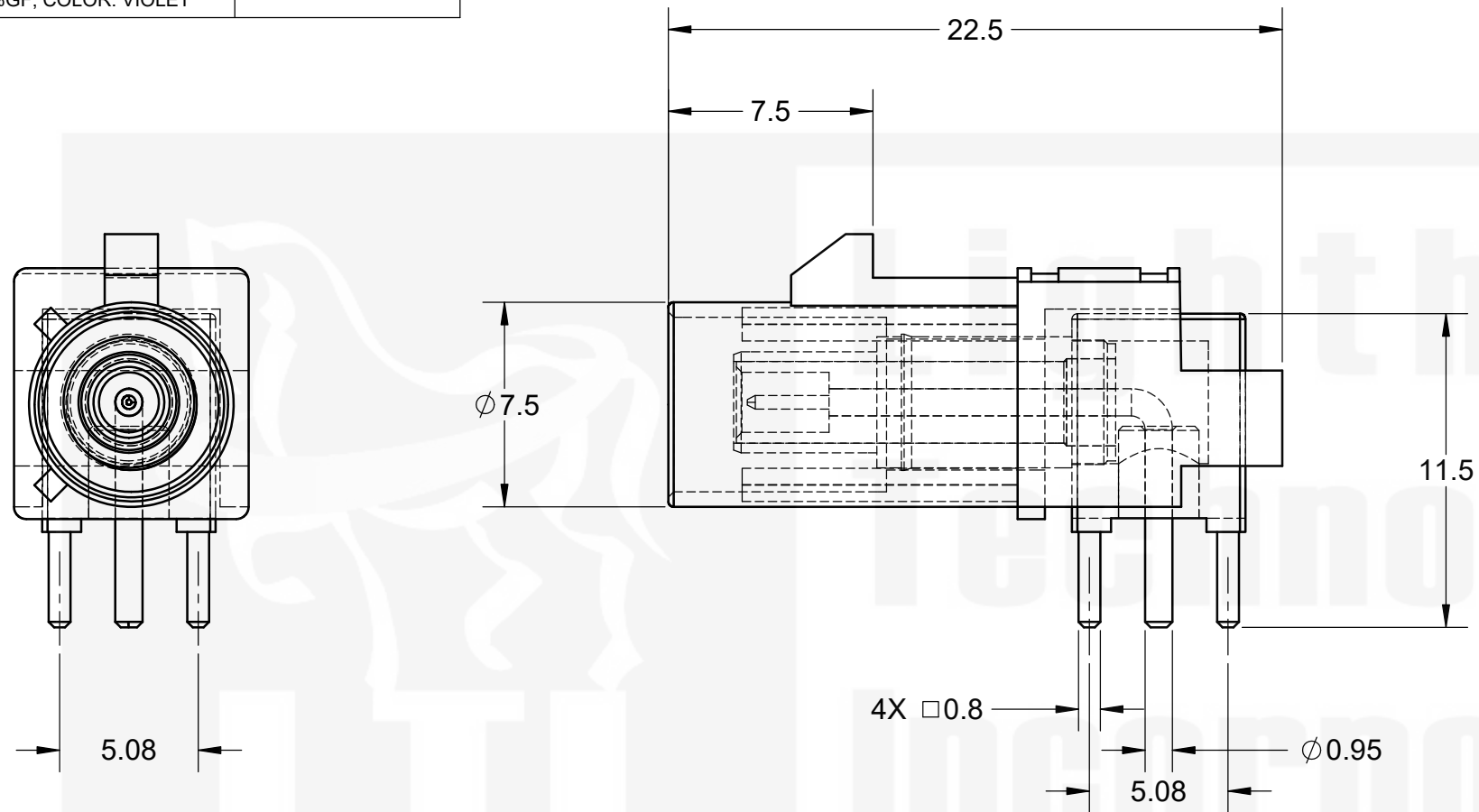


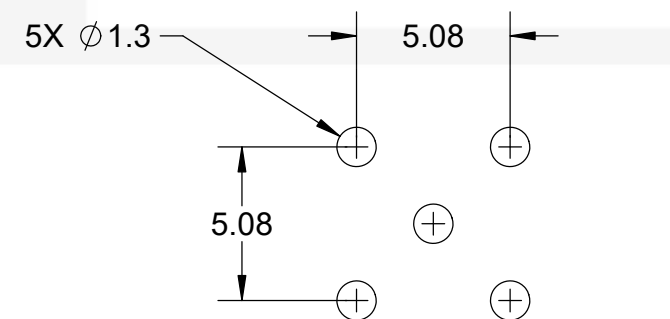
ITEM:	MATERIAL:	FINISH:
CONNECTOR BODY	BRASS, NOTE 1	NICKEL, NOTE 9
CENTER CONTACT	BRASS, NOTE 1	GOLD, NOTE 11
INSULATION	TEFLON, NOTE 5	
FERRULE		
GASKET		
HEX NUT		
LOCK WASHER		
PLASTIC HSG	PA66+30%GF, COLOR: VIOLET	

NOTES:	
1. PER QQ-B-626	8. GOLD PLATED 5µin MIN. OVER NICKEL PLATE 50µin MIN. OVER COPPER STRIKE.
2. PER QQ-S-764	9. NICKEL PLATE 100µin MIN. OVER COPPER STRIKE.
3. PER QQ-C-530	10. PER ASTM-A967
4. PER QQ-B-750	11. GOLD PLATE 30µin MIN. OVER NICKEL PLATE 50µin MIN. OVER COPPER STRIKE.
5. PER MIL-P-19468	12. TIN ZINC PLATE 100µin MIN. OVER COPPER STRIKE.
6. PER ZZ-R-765	
7. PER WW-T-799	

REVISIONS				
REV	ECR	DESCRIPTION	DRAWN	DATE
1		ENGINEERING RELEASE	P. BURDGE	5/17/2018

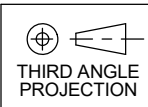


SMB CONNECTOR DETAIL



RECOMMENDED PCB LAYOUT

DO NOT SCALE DRAWING
 TOLERANCES UNLESS OTHERWISE SPECIFIED
 DIMENSIONS ARE IN MILLIMETERS
 X = ±0.5
 X.X = ±0.25
 X.XX = ±0.13
 ANGLE = ±30°



Lighthouse Technologies
 San Diego, CA
 WWW.RFCONNECTOR.COM

TITLE: FAKRA, D CODE, R/A JACK, PCB SOLDER POST, PCB THRU HOLE, TEFLON, NICKEL

CUSTOMER APPROVAL	
SIGN / DATE:	
ENG APPR.	
CHECKED	
DRAWN	P. BURDGE
NAME	DATE

SIZE	PART/DWG. NO:	REV
B	FKLF(D)54NT	1
SCALE: 4:1	FILE NAME	SHEET 1 OF 1

PROPRIETARY AND CONFIDENTIAL
 UNLESS OTHERWISE SPECIFIED: THIS DOCUMENT CONTAINS LIGHTHORSE TECHNOLOGIES INFORMATION. REPRODUCTION, USE, DISCLOSURE OR TRANSMITTAL OF ALL OR ANY PART OF THIS DOCUMENT IS PROHIBITED EXCEPT TO THE EXTENT APPROVED IN WRITING BY AN AUTHORIZED REPRESENTATIVE OF LIGHTHORSE TECHNOLOGIES. LIGHTHORSE TECHNOLOGIES RESERVES ALL RIGHTS UNDER PATENTS, TRADEMARKS, COPYRIGHTS AND TRADE SECRETS. COPY RIGHTS OF LIGHTHORSE TECHNOLOGIES 2011, ALL RIGHTS RESERVED.

