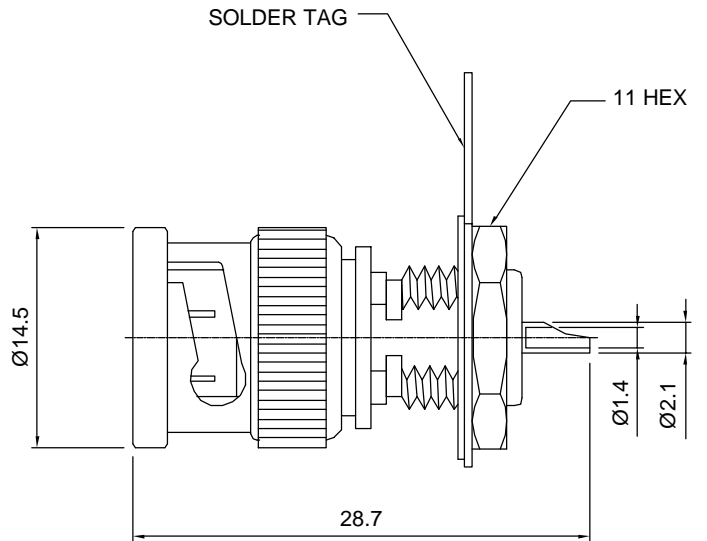
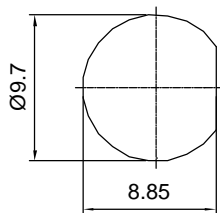



Tolerances		Revisions
1-20=	+/-0.2	Description/Approved/
20-30=	+/-0.3	
30-40=	+/-0.4	
40-50=	+/-0.5	
50-100=	+/-0.75	NOTES (plating thickness
100-300=	+/-1.5	in micro-inches):
Angles=	+/-1	1. Per QQ-B-626
Dimensions are in Millimeters		2. Per QQ-S-764
		3. Per QQ-C-530
		4. Per QQ-B-750



ITEM	MATERIAL	FINISH	Light	
Connector Body	Brass, Note 1	Nickel, Note 9	 4907 Mon San Diego Part Number LTI-E	
Center Contact: Male	Brass, Note 1	Gold, Note 11		
Insulation	Teflon, Note 5	None		
Ferrule	--	--		
Gasket	--	--		
Hex Nut	Brass, Note 1	Same as body	Description	Drawin
Lock Washer	Brass, Note 1	Same as body	BNC straight bulkhead	
			Scale	Drawin
			2:1	BSM4