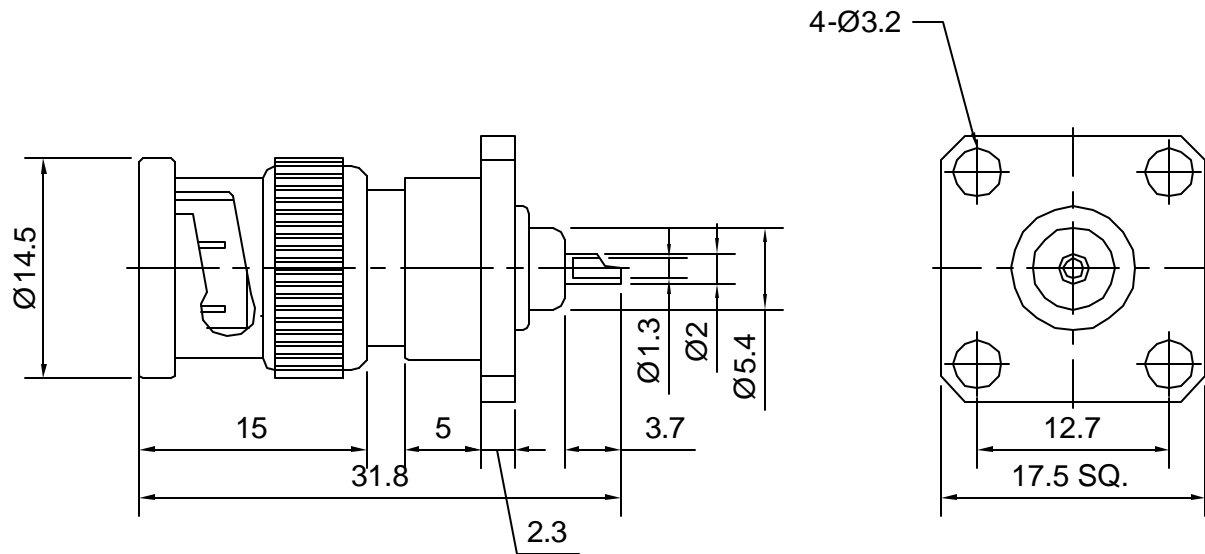


	Tolerances 1-20=+/-0.2 20-30=+/-0.3 30-40=+/-0.4 40-50=+/-0.5 50-100=+/-0.75 100-300=+/-1.5 Angles=+/-1 Dimensions are in Millimeters	Revisions	Approved	Date
		Description/Approved/Date	M.H.	05/25/00
			Checked	Date
			M.H.	05/25/00
		Drawn	Date	
		K.R.E.	05/24/00	
NOTES (plating thickness in micro-inches):		5. Per MIL-P-19468	9. Nickel pl. 100 min. over copper strike	
1. Per QQ-B-626		6. Per ZZ-R-765	10. Per QQ-P-35	
2. Per QQ-S-764		7. Per WW-T-799	11. Gold pl. 30 min. over nickel pl. 50 min. over copper strike	
3. Per QQ-C-530		8. Gold pl. 5 min. over nickel pl. 50 min. over copper strike		
4. Per QQ-B-750				



ITEM	MATERIAL	FINISH
Connector Body	Brass, Note 1	Nickel, Note 9
Center Contact: Male	Brass, Note 1	Gold, Note 11
Insulation	Teflon, Note 5	None
Ferrule	--	--
Gasket	--	--
Hex Nut	--	--
Lock Washer	--	--

 Lighthouse Technologies, Inc. 4907 Morena Boulevard, #1411 San Diego, California 92117		
Description		
BNC panel mount plug with solder cup termination.		
Nickel plated brass body, teflon dielectric.		
Scale	Drawing No.	File Name
2:1	BNC/BSM42	BSM42