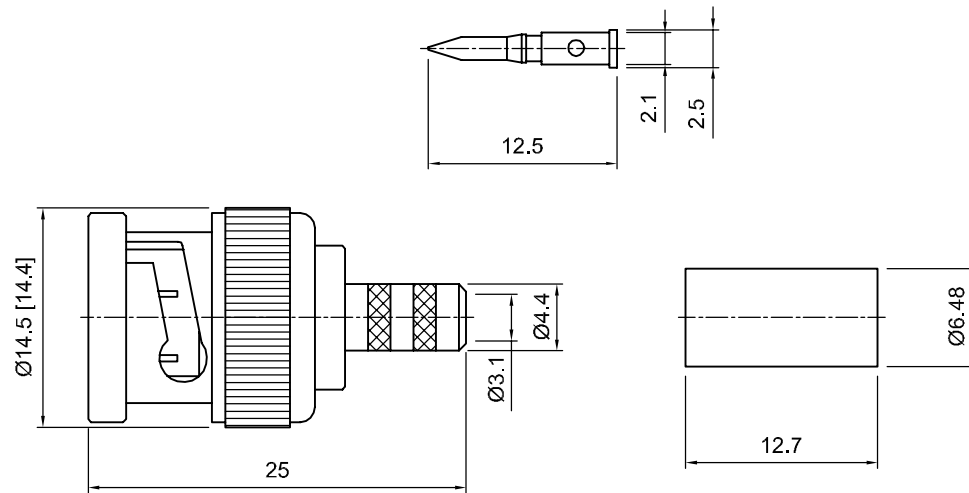



	Tolerances 1-20=+/-0.2 20-30=+/-0.3 30-40=+/-0.4 40-50=+/-0.5 50-100=+/-0.75 100-300=+/-1.5 Angles=+/-1 Dimensions are in Millimeters	Revisions	Approved	Date
		Description/Approved/Date	M.H.	6/22/99
			Checked	Date
			M.H.	6/22/99
		Drawn	Date	
		K.R.E.	6/19/99	
NOTES (plating thickness in micro-inches):		5. Per MIL-P-19468	9. Nickel pl. 100 min. over copper strike	
1. Per QQ-B-626	6. Per ZZ-R-765	7. Per WW-T-799	10. Per QQ-P-35	
2. Per QQ-S-764	8. Gold pl. 5 min. over nickel pl. 50 min. over copper strike	11. Gold pl. 3 min. over nickel pl. 50 min. over copper strike		
3. Per QQ-C-530				
4. Per QQ-B-750				



ITEM	MATERIAL	FINISH	Lighthouse Technologies, Inc.		
Connector Body	Brass, Note 1	Nickel, Note 9		4907 Morena Boulevard, #1411 San Diego, California 92117	
Center Contact: Male	Brass, Note 1	Gold, Note 11		Part Number: LTI-BSM11NT-58	
Insulation	Teflon, Note 5	None	Description		
Ferrule	Annealed Copper, Note 7	Same as body	BNC crimp plug for RG-58 cable. Nickel plated brass body,		
Gasket	--	--	teflon dielectric.		
Hex Nut	--	--	Scale	Drawing No.	File Name
Lock Washer	--	--	2:1		BSM11-58