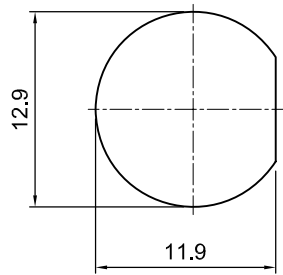
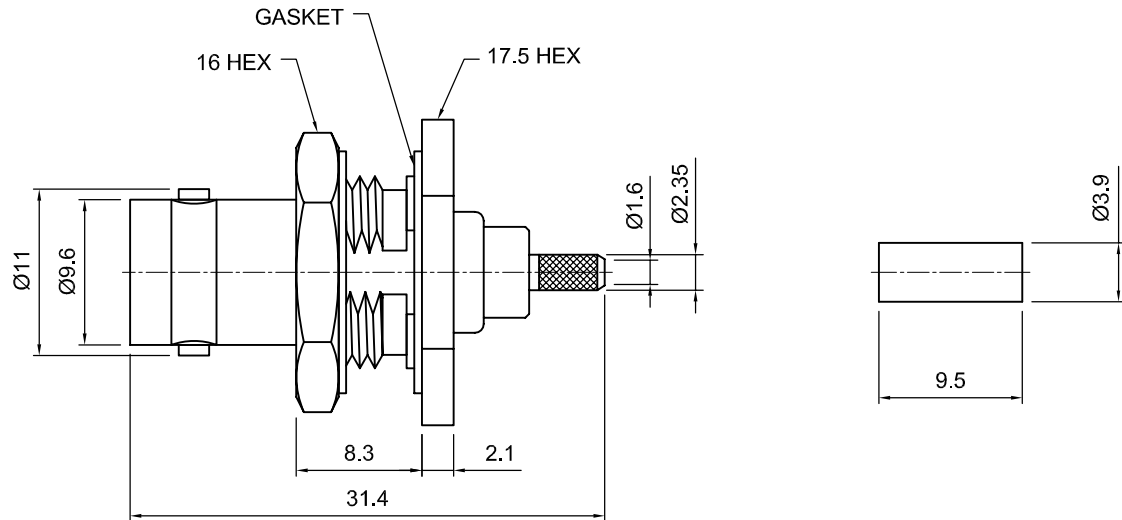



Tolerances 1-20=+/-0.2 20-30=+/-0.3 30-40=+/-0.4 40-50=+/-0.5 50-100=+/-0.75 100-300=+/-1.5 Angles=+/-1 Dimensions are in Millimeters	Revisions	Approved	Date
	Description/Approved/Date	M.H.	03/15/00
		Checked	Date
		M.H.	03/15/00
	Drawn	Date	
	K.R.E.	03/11/00	
NOTES (plating thickness in micro-inches): 1. Per QQ-B-626 2. Per QQ-S-764 3. Per QQ-C-530 4. Per QQ-B-750 5. Per MIL-P-19468 6. Per ZZ-R-765 7. Per WW-T-799 8. Gold pl. 5 min. over nickel pl. 50 min. over copper strike 9. Nickel pl. 100 min. over copper strike 10. Per QQ-P-35 11. Gold pl. 3 min. over nickel pl. 50 min. over copper strike			



RECOMMENDED MOUNTING HOLE



ITEM	MATERIAL	FINISH	Lighthouse Technologies, Inc.		
Connector Body	Brass, Note 1	Nickel, Note 9	 4907 Morena Boulevard, #1411 San Diego, California 92117 Part Number: LTI-BSF13RNT-188		
Center Contact: Female	Phosphor Bronze, Note 4	Gold, Note 11			
Insulation	Teflon, Note 5	None	Description		
Ferrule	Annealed Copper, Note 7	Same as body	BNC bulkhead crimp jack for RG-188 cable. Nickel plated brass		
Gasket	Silicone Rubber, Note 6	None	body, teflon dielectric.		
Hex Nut	Brass, Note 1	Same as body	Scale	Drawing No.	File Name
Lock Washer	Brass, Note 1	Same as body	2:1		BSF13-316