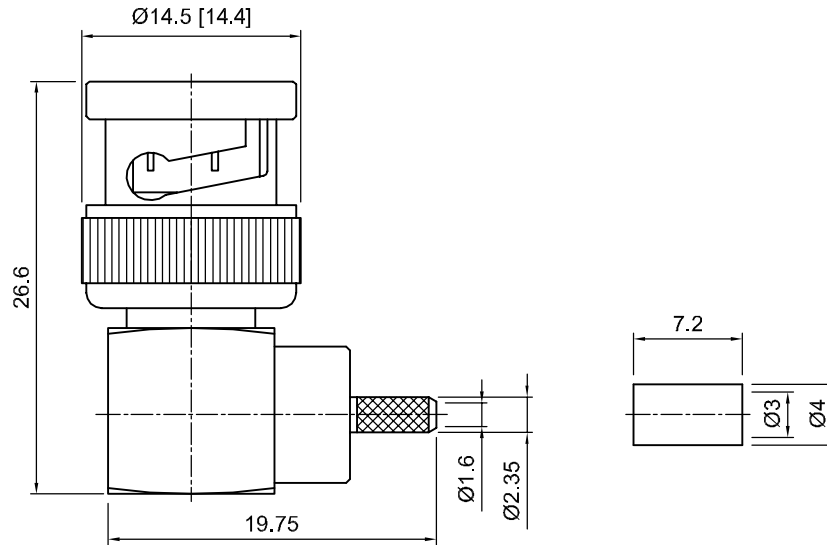



<b>Tolerances</b> 1-20=+/-0.2 20-30=+/-0.3 30-40=+/-0.4 40-50=+/-0.5 50-100=+/-0.75 100-300=+/-1.5 Angles=+/-1 <b>Dimensions are in Millimeters</b>	Revisions Description/Approved/Date	Approved M.H.	Date 1/25/06
		Checked M.H.	Date 1/25/06
		Drawn K.R.E.	Date 12/15/05
	NOTES (plating thickness in micro-inches): 1. Per QQ-B-626 2. Per QQ-S-764 3. Per QQ-C-530 4. Per QQ-B-750		



ITEM	MATERIAL	FINISH	 <b>Lighthouse Technologies, Inc.</b> 5640 Kearny Mesa Rd. Suite N San Diego, California 92111 Part Number: <b>LTI-BLM11NT-316</b>		
Connector Body	Brass, Note 1	Nickel, Note 9	Description BNC right angle crimp plug for RG-316. Nickel plated		
Center Contact: M	Brass, Note 1	Gold, Note 11			
Insulation	Teflon, Note 5	None	Brass body, Teflon dielectric		
Ferrule	Annealed Copper, Note 7	Same as body			
Gasket	--	--	Scale	Drawing No.	File Name
Hex Nut	--	--	2:1	BLM11NT-316	BLM11NT-316
Lock Washer	--	--			