

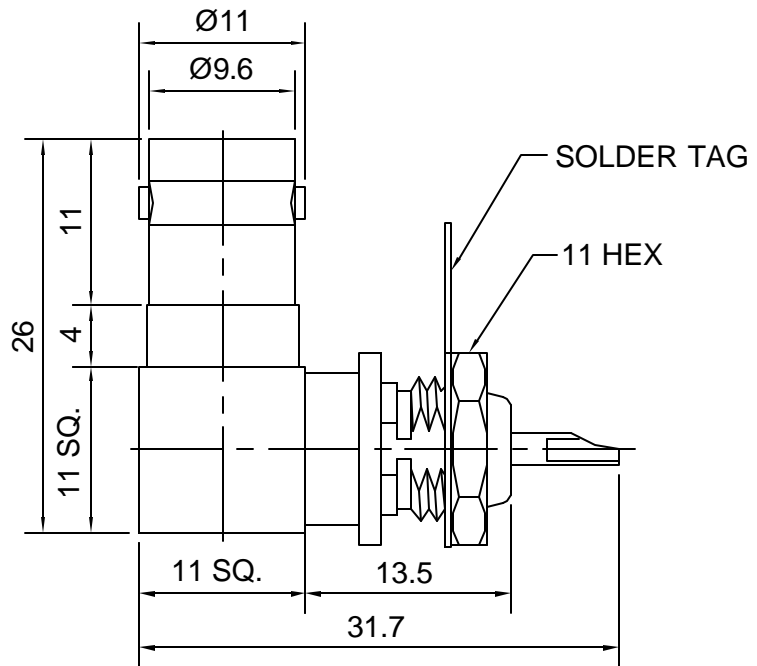
Approved for Production

Date: 3:58 pm, Jul 08, 2011

Signature: *Lighthouse Technologies, Inc.*

Controlled Copy

Revisions	
Description/Approved/Date	
NOTES (plating thickness in micro-inches:	5. Per
1. Per QQ-B-626	6. Per
2. Per QQ-S-764	7. Per
3. Per QQ-C-530	8. Gold
4. Per QQ-B-750	nickel
	copper



ITEM	MATERIAL	FINISH	Tolerances 1-20=+/-0.2 20-30=+/-0.3 30-40=+/-0.4 40-50=+/-0.5 50-100=+/-0.75 100-300=+/-1.5 Angles=+/-1	Light 4907 I San D Part Number: LTI-BSF Description BNC Bulkhead Scale 2:1 File BSF43
Connector Body	Brass, Note 1	Nickel, Note 9		
Center Contact: Female	Phosphor Bronze	Gold, Note 11		
Insulation	Delrin	None		
Ferrule	--	--		
Gasket	--	--		
Hex Nut	Brass, Note 1	Same as body	Dimensions are in Millimeters	
Lock Washer	--	--		