

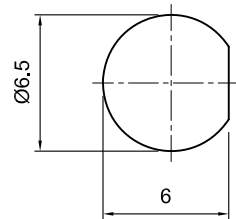
All components used conform to RoHS standards.



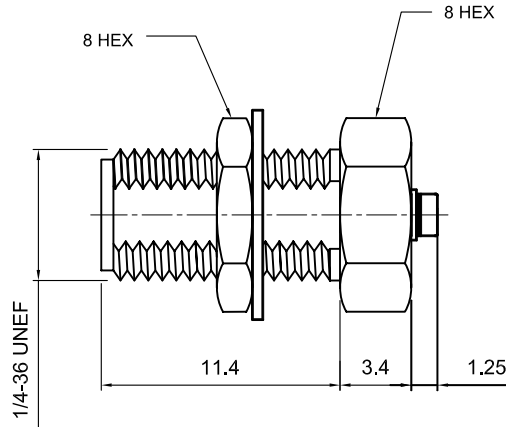
Tolerances
 1-20=+/-0.2
 20-30=+/-0.3
 30-40=+/-0.4
 40-50=+/-0.5
 50-100=+/-0.75
 100-300=+/-1.5
 Angles=+/-1
Dimensions are In Millimeters

Revisions Description/Approved/Date	Approved M.H.	Date 03/25/2009
<small>Part # change to reflect correct gender on IPX side. From AIPXSASF3NT to AIPXSASF3GT MH 012009</small>	Checked M.H.	Date
	Drawn K.R.E.	Date
NOTES (plating thickness in micro-inches): 1. Per QQ-B-626 2. Per QQ-S-764 3. Per QQ-C-530 4. Per QQ-B-750 5. Per MIL-P-19468 6. Per ZZ-R-765 7. Per WW-T-799 8. Gold pl. min. over nickel pl. 50 min. over copper strike 9. Nickel pl. 100 min. over copper strike 10. Per QQ-P-35 11. Gold pl. 30 min. over nickel pl. 50 min. over copper strike		

Customer Approval by _____ Date _____



MOUNTING HOLE CUTOUT



ITEM	MATERIAL	FINISH
Connector Body	Brass, Note 1	Gold, Note 8
Center Contact: Female/Male	Beryllium Copper, Note 3	Gold, Note 11
Insulation	Teflon, Note 5	None
Ferrule	--	Same as body
Gasket	--	--
Hex Nut	Brass, Note 1	Same as body
Lock Washer	Brass, Note 1	Same as body

Lighthouse Technologies, Inc.
 9511 Ridgehaven Court, Suite B
 San Diego, California 92123

Part Number:
LTI-AIPXSASF3GT

Description Adapter, IPX Plug to SMA jack bulkhead configuration.		
Gold plated brass body, Teflon dielectric.		
Scale	Drawing No. AIPXSASF3GT	File Name AIPXSASF3GT