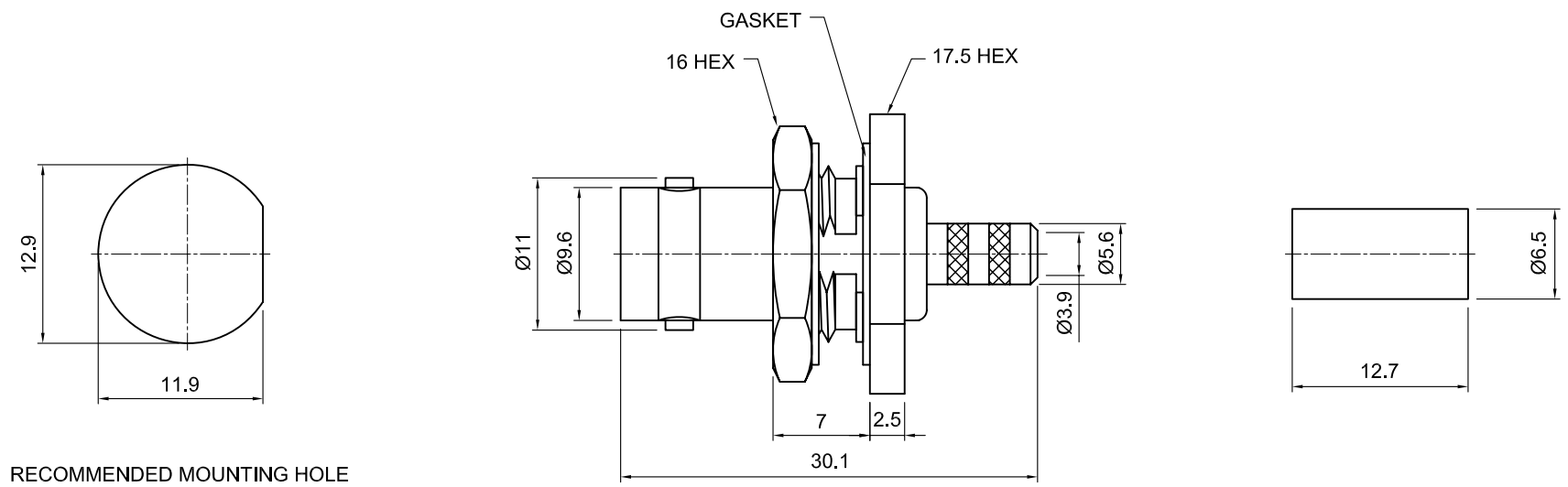



Tolerances
 1-20=+/-0.2
 20-30=+/-0.3
 30-40=+/-0.4
 40-50=+/-0.5
 50-100=+/-0.75
 100-300=+/-1.5
 Angles=+/-1
Dimensions are in Millimeters

Revisions Description/Approved/Date	Approved M.H.	Date 11/06/96
	Checked M.H.	Date 11/06/96
	Drawn K.R.E.	Date 11/06/96

NOTES (plating thickness in micro-inches):
 1. Per QQ-B-626
 2. Per QQ-S-764
 3. Per QQ-C-530
 4. Per QQ-B-750
 5. Per MIL-P-19468
 6. Per ZZ-R-765
 7. Per WW-T-799
 8. Gold pl. 5 min. over nickel pl. 50 min. over copper strike
 9. Nickel pl. 100 min. over copper strike
 10. Per QQ-P-35
 11. Gold pl. 5 min. over nickel pl. 50 min. over copper strike



ITEM	MATERIAL	FINISH
Connector Body	Brass, Note 1	Gold, Note 8
Center Contact: F	Phosphor Bronze, Note 4	Gold, Note 11
Insulation	Teflon, Note 5	None
Ferrule	Annealed Copper, Note 7	Same as body
Gasket	Silicone Rubber, Note 6	None
Hex Nut	Brass, Note 1	Same as body
Lock Washer	Brass, Note 1	Same as body



Lighthouse Technologies, Inc.
 5640 Kearny Mesa Rd. Suite N
 San Diego, California 92111
 Part Number: **LTI-7BSF13RNT-59**

Description
 75 OHM BNC Bulkhead Jack for RG 59 cab:e

Scale 1:1	Drawing No. 7BSF13RNT-59	File Name 7BSF13RNT-59
--------------	-----------------------------	---------------------------