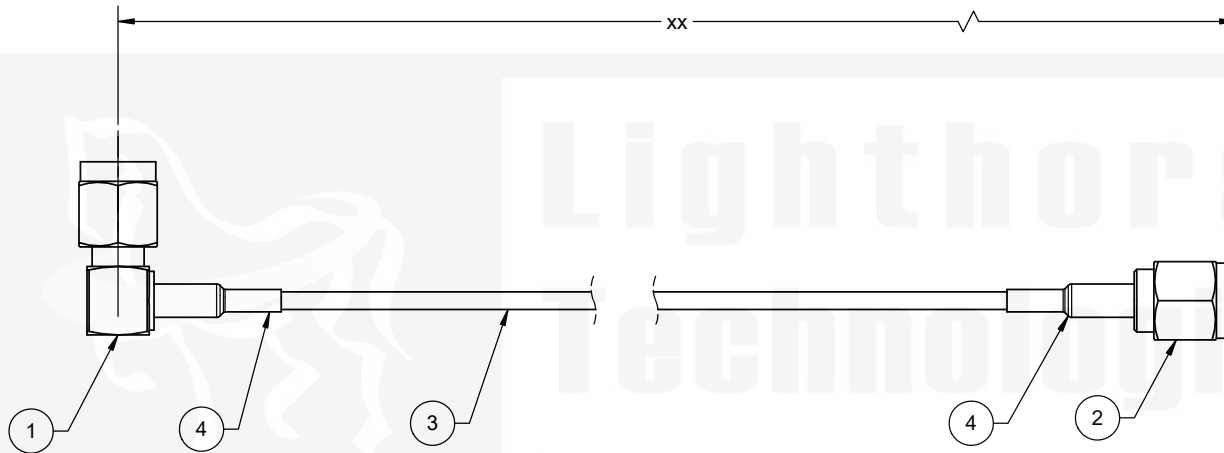


-XX IN THE ENDING OF THE CABLE PART NUMBER IS CALLING OUT THE LENGTH OF THE ASSEMBLY FROM CENTER TO MATING FLANGE OF CONNECTORS. EXAMPLES SHOWN BELOW:


LTI P/N: CBG-SALRMGT-SAMGT-6IN (6 INCHES)  
 CBG-SALRMGT-SAMGT-100MM (100 MILLIMETERS)

REVISIONS				
REV	ECR	DESCRIPTION	DRAWN	DATE
1		ENGINEERING RELEASE	M. LARSEN	08/08/2023



ITEM	PART NUMBER	DESCRIPTION	QTY
1	SALRM11GT-316	RP-SMA, RIGHT ANGLE, PLUG, CABLE CRIMP	1
2	SASM11GT-316	SMA, STRAIGHT, PLUG, CABLE CRIMP	1
3	RG-178	CABLE, RG-178 COAX	AR
4	1635F-1/8"	.125 (1/8) DIA, .75 LENGTH, GREEN	2

DO NOT SCALE DRAWING		
TOLERANCES UNLESS OTHERWISE SPECIFIED		
DIMENSIONS ARE IN MILLIMETERS		
X	= ±0.5	
XX	= ±0.25	
XXX	= ±0.13	
ANGLE	= ±30°	
THIRD ANGLE PROJECTION		
CUSTOMER APPROVAL		
SIGN / DATE:		
ENG APPR.	P. BURDGE	08/08/2023
CHECKED	M. HELD	08/08/2023
DRAWN	M. LARSEN	08/08/2023
NAME	DATE	

 <b>Lighthouse Technologies</b> San Diego, CA WWW.RFCONNECTOR.COM	
TITLE: CABLE ASSEMBLY, RP-SMA, R/A PLUG, CRIMP TO, SMA, PLUG, USING RG-178 COAX,	
SIZE	PART/DWG. NO:
<b>B</b>	<b>CBG-SALRMGT-SAMGT-xx</b>
REV	
<b>1</b>	
SCALE: 3:1	FILE NAME
	SHEET 1 OF 1

PROPRIETARY AND CONFIDENTIAL

UNLESS OTHERWISE SPECIFIED, THIS DOCUMENT CONTAINS LIGHTHORSE TECHNOLOGIES INFORMATION. REPRODUCTION, USE, DISCLOSURE OR TRANSMITTAL OF ALL OR ANY PART OF THIS DOCUMENT IS PROHIBITED EXCEPT TO THE EXTENT APPROVED IN WRITING BY AN AUTHORIZED REPRESENTATIVE OF LIGHTHORSE TECHNOLOGIES. LIGHTHORSE TECHNOLOGIES RESERVES ALL RIGHTS UNDER PATENTS, TRADEMARKS, COPYRIGHTS AND TRADE SECRETS. COPY RIGHTS OF LIGHTHORSE TECHNOLOGIES 2011, ALL RIGHTS RESERVED.

