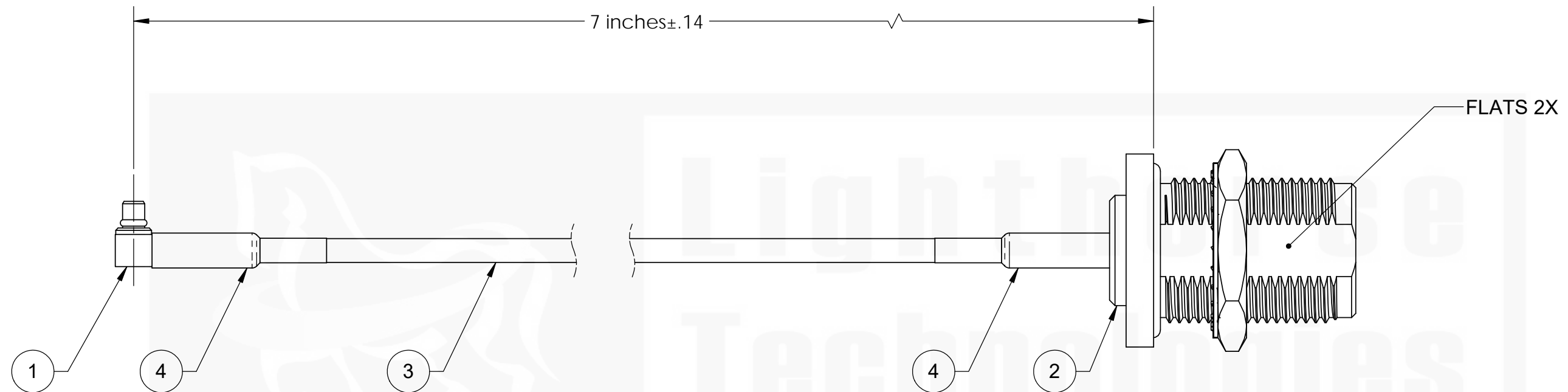


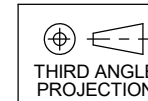
REVISIONS

REV	ECR	DESCRIPTION	DRAWN	DATE
1		ENGINEERING RELEASE	M. LARSEN	10/25/2023



ITEM	PART NUMBER	DESCRIPTION	QTY
1	MCLM11GT-316	MMCX, RHT ANGLE, PLUG, CABLE CRIMP,	1
2	NSF13RNT-316	N-TYPE, STRAIGHT JACK, BLKHD MNT, O-RING, IP67, CABLE CRIMP	1
3	RG-316	CABLE, RG-316 COAX	AR
4	1635F-3/16	.188 (3/16) DIA, .75 LENGTH, BLACK	2

DO NOT SCALE DRAWING
 TOLERANCES UNLESS OTHERWISE SPECIFIED
 DIMENSIONS ARE IN MILLIMETERS
 X = ±0.5
 X.X = ±0.25
 X.XX = ±0.13
 ANGLE = ±30'



Lighthouse Technologies
 San Diego, CA
 WWW.RFCONNECTOR.COM

TITLE: CABLE ASSEMBLY, MMCX R/A PLUG, TO N-TYPE JACK, BLKHD MNT, O-RING, IP67, USING RG-316 COAX CABLE

CUSTOMER APPROVAL

SIGN / DATE:		
ENG APPR.		
CHECKED		
DRAWN	M. LARSEN	10/25/2023
	NAME	DATE

SIZE	PART/DWG. NO:	REV
B	CBD-MCLMGT-NF3NT-7IN	1
SCALE: 2:1	FILE NAME	SHEET 1 OF 1

PROPRIETARY AND CONFIDENTIAL
 UNLESS OTHERWISE SPECIFIED: THIS DOCUMENT CONTAINS LIGHTHORSE TECHNOLOGIES INFORMATION. REPRODUCTION, USE, DISCLOSURE OR TRANSMITTAL OF ALL OR ANY PART OF THIS DOCUMENT IS PROHIBITED EXCEPT TO THE EXTENT APPROVED IN WRITING BY AN AUTHORIZED REPRESENTATIVE OF LIGHTHORSE TECHNOLOGIES. LIGHTHORSE TECHNOLOGIES RESERVES ALL RIGHTS UNDER PATENTS, TRADEMARKS, COPYRIGHTS AND TRADE SECRETS. COPY RIGHTS OF LIGHTHORSE TECHNOLOGIES 2011, ALL RIGHTS RESERVED.

