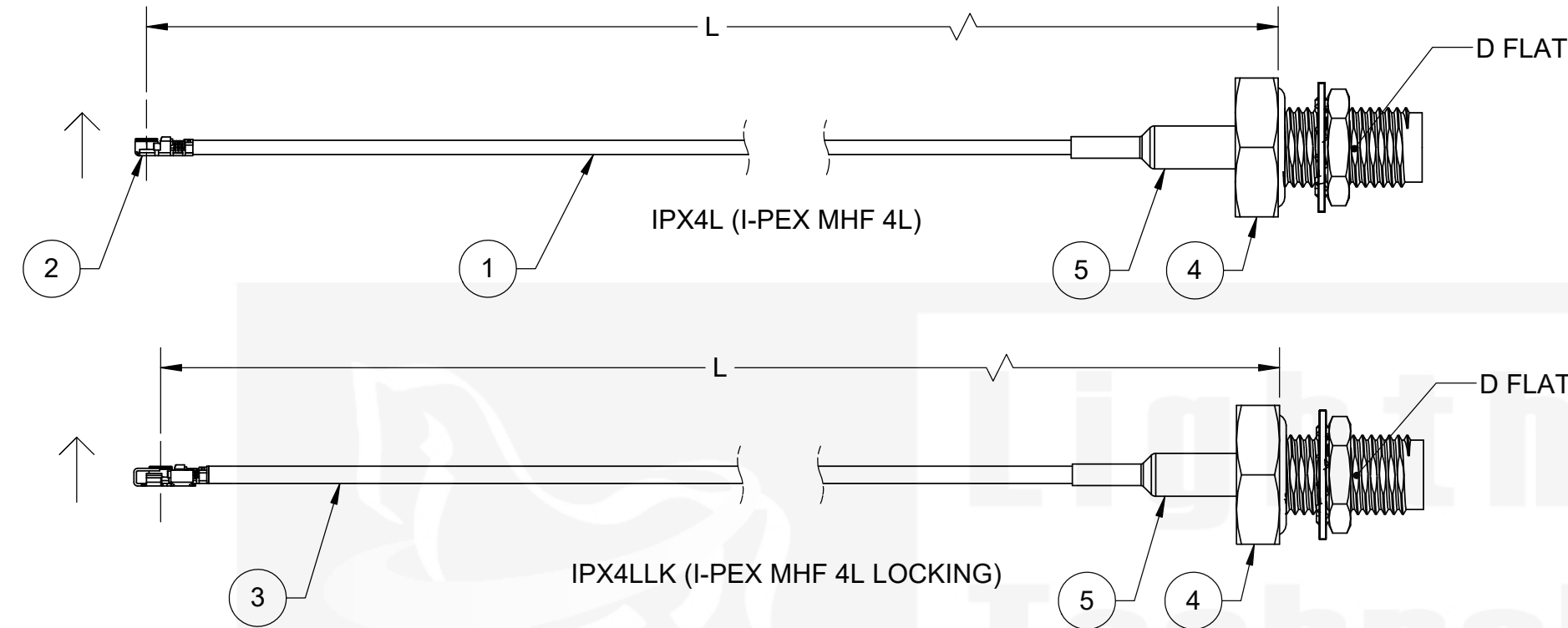


NOTE: CABLE IS CUT TO LENGTH SPECIFIED IN THE PART NUMBER.  
LENGTH AFTER ASSEMBLY MAY DIFFER.

REVISIONS				
REV	ECR	DESCRIPTION	DRAWN	DATE
1		ENGINEERING RELEASE	M. LARSEN	06/02/2025



**CONTACT LTI FOR CUSTOM LENGTH AND TOLERANCE**

CABLE LENGTH:  
"-X" IN THE ENDING OF THE CABLE PART NUMBER IS CALLING OUT THE LENGTH THE CABLE IS CUT.  
EXAMPLES SHOWN BELOW:

I-PEX MHF 4L:  
LTI P/N: CB1.13-IPX4L-SAF3OGTX15-4IN (4 INCHES)  
CB1.17LL-IPX4L-SAF3OGTX15-100mm (100 MILLIMETERS)

I-PEX MHF 4L LOCKING:  
LTI P/N: CB1.37-IPX4LLK-SAF3OGTX15-4IN (4 INCHES)  
CB1.37-IPX4LLK-SAF3OGTX15-100mm (100 MILLIMETERS)

**NOTES:**

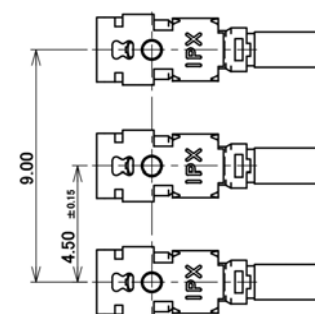
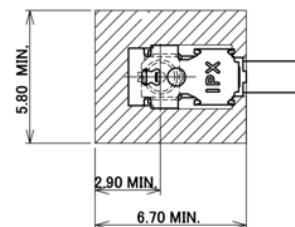
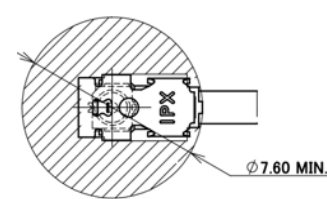
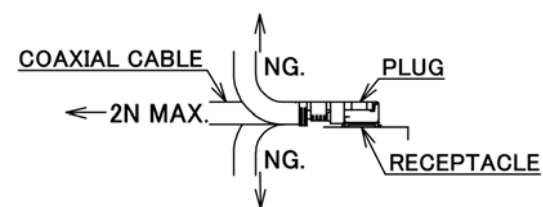
1. OPERATING FREQUENCY: DC - 6GHz
2. IMPEDANCE: 50Ω
3. TEMPERATURE RANGE: -40°C ~ +90°C
4. MAX HEIGHT: 1.4mm (1.13, 1.17LL COAX), 2mm (MHF 4L LK)
5. I-PEX CABLE CRIMP STRENGTH: 15N MIN
6. I-PEX DURABILITY: 30 CYCLES
7. ORIENTATION OF CONNECTORS: 0° ± 45°

CABLE PART NUMBERING (MHF 4L):  
**CBX-IPX4L-SAF3OGTX15-X**

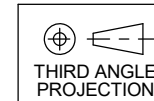
CABLE PART NUMBERING (MHF 4L LOCKING):  
**CB1.37-IPX4LLK-SAF3OGTX15-X**

IPX® AND MHF® ARE REGISTERED TRADEMARKS OF I-PEX CO., LTD. CORPORATION

(1): CABLE TYPE		(2): IPX4L (I-PEX MHF 4L)	(3): IPX4LLK (I-PEX MHF 4L LOCKING HARNESS)	(4): SMA JACK	(5): HEAT SHRINK TUBE	CBL ASSY LENGTH
"1.13"	∅ 1.13mm, CABLE, BLACK	IPX4LLF11GPB-113 (20565-001R-13)		LTI P/N:	∅ 3/32, .5" LENGTH, GREEN	TOLERANCE: 1-36IN ± 0.5 25-915mm ± 13
"1.17LL"	∅ 1.17mm, LOW-LOSS CABLE, GRAY	IPX4LLF11GPB-113 (20565-001R-13)		SASF13ROGT-113-X15 (SMA, JACK, BLKHD, CRIMP, IP67 O-RING)	∅ 3/32, .5" LENGTH, GREEN	
			"1.37"	∅ 1.37mm, CABLE, CB1.37-2IPX4LLK-500MM, BLACK	∅ 3/32, .5" LENGTH, GREEN	



DO NOT SCALE DRAWING  
TOLERANCES UNLESS OTHERWISE SPECIFIED  
DIMENSIONS ARE IN MILLIMETERS  
X = ±0.5  
X.X = ±0.25  
X.XX = ±0.13  
ANGLE = ±30'



**Lighthouse Technologies**  
San Diego, CA  
WWW.RFCONNECTOR.COM

**TITLE:** CABLE ASSEMBLY, IPX4L (MHF 4L), TO SMA JACK, BULKHEAD MOUNT, IP67, O-RING, CABLE CRIMP

PROPRIETARY AND CONFIDENTIAL  
UNLESS OTHERWISE SPECIFIED: THIS DOCUMENT CONTAINS LIGHORSE TECHNOLOGIES INFORMATION. REPRODUCTION, USE, DISCLOSURE OR TRANSMITTAL OF ALL OR ANY PART OF THIS DOCUMENT IS PROHIBITED EXCEPT TO THE EXTENT APPROVED IN WRITING BY AN AUTHORIZED REPRESENTATIVE OF LIGHORSE TECHNOLOGIES. LIGHORSE TECHNOLOGIES RESERVES ALL RIGHTS UNDER PATENTS, TRADEMARKS, COPY RIGHTS AND TRADE SECRETS. COPY RIGHTS OF LIGHORSE TECHNOLOGIES 2011, ALL RIGHTS RESERVED.



CUSTOMER APPROVAL	
SIGN / DATE:	
ENG APPR.	
CHECKED	
DRAWN	M. LARSEN
	06/02/2025
NAME	DATE

SIZE	PART/DWG. NO:	REV
<b>B</b>	<b>CBX-IPX4L-SAF3OGTX15-X</b>	<b>1</b>
SCALE: 2:1	FILE NAME	SHEET 1 OF 1