

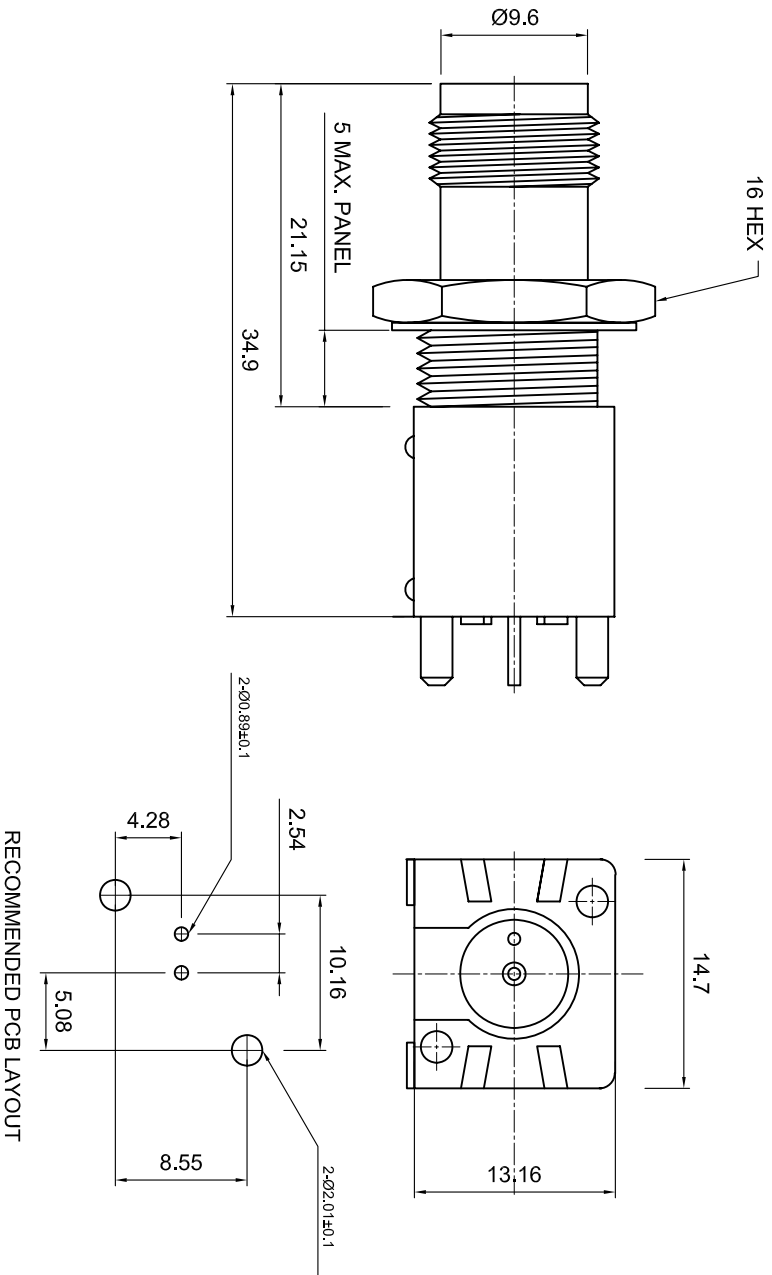
Revisions		Approved	Date
Description/Approve/Date	Checked	M.H.	Date
	Drawn	K.R.E.	Date

**Tolerances**  
 1-20=+/-0.2  
 20-30=+/-0.3  
 30-40=+/-0.4  
 40-50=+/-0.5  
 50-100=+/-0.75  
 100-300=+/-1.5  
 Angles=+/-1

**Dimensions are in Millimeters**

**NOTES** (plating thickness in microinches):  
 1. Per QQ-B-626  
 2. Per QQ-S-764  
 3. Per QQ-C-530  
 4. Per QQ-B-750

9. Nickel pl. 100 min. over copper strike  
 10. Per QQ-P-35  
 11. Gold pl. 3 min. over nickel pl. 50 min. over copper strike



ITEM	MATERIAL	FINISH
Connector Body	PBT Body, Black; Zinc diecast Barrel	Nickel, Note 9
Center Contact: F	Phosphor Bronze, Note 4	Gold; Note 11
Insulation	PE	None
Ferrule	--	--
Gasket	--	None
Hex Nut	Brass, Note 1	Same as body
Lock Washer	Brass, Note 1	Brass, Note 1

**Lighthorse Technologies, Inc.**  
 5640 Keamy Mesa Rd. Ste. N  
 San Diego, California 92111  
 Part Number: **LTI-TSF54MNPB**

Description TNC vertical mount PCB jack, 50 ohm, commercial type, black.		
Scale 1:1	Drawing No. TSF54MNPB	File Name TSF54MNPB