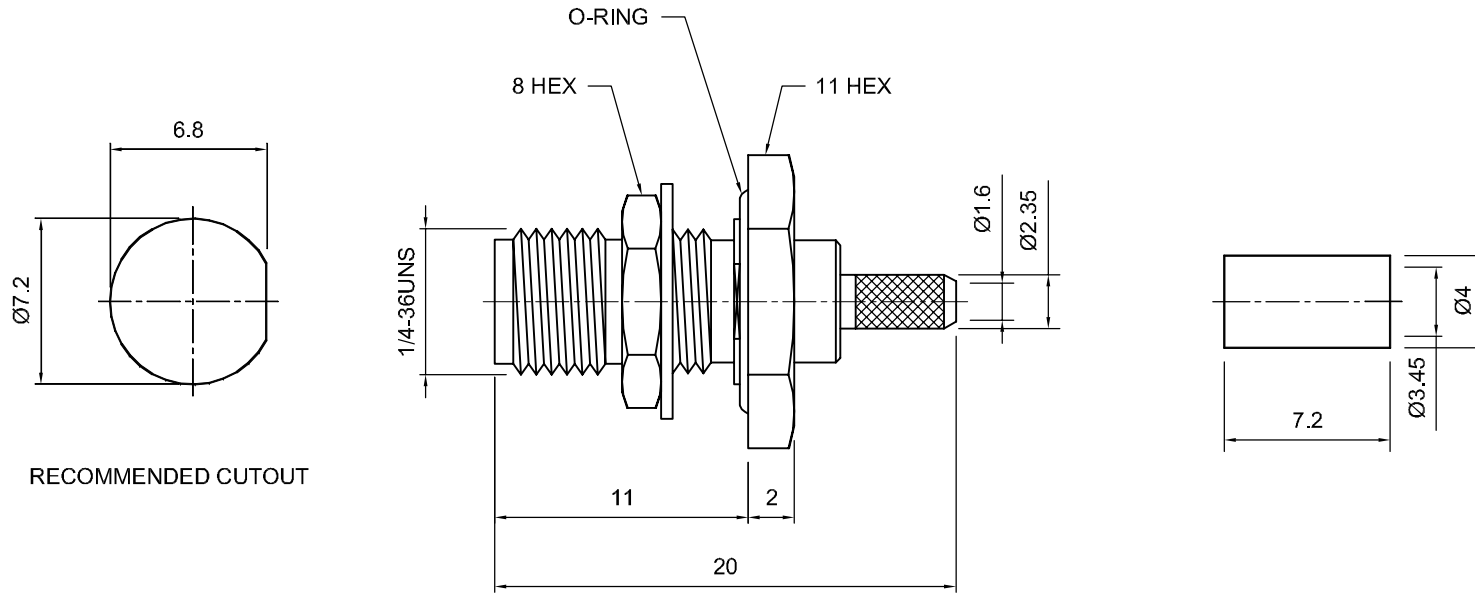


| | | | | |
|--|---|---------------------------|---|----------|
| | Tolerances 1-20=+/-0.2 20-30=+/-0.3 30-40=+/-0.4 40-50=+/-0.5 50-100=+/-0.75 100-300=+/-1.5 Angles=+/-1 Dimensions are in Millimeters | Revisions | Approved | Date |
| | | Description/Approved/Date | M.H. | 10/12/00 |
| | | | Checked | Date |
| | | | M.H. | 10/11/00 |
| | | Drawn | Date | |
| | | K.R.E. | 10/11/00 | |
| NOTES (plating thickness in micro-inches): | | 5. Per MIL-P-19468 | 9. Nickel pl. 100 min. over copper strike | |
| 1. Per QQ-B-626 | 6. Per ZZ-R-765 | 7. Per WW-T-799 | 10. Per QQ-P-35 | |
| 2. Per QQ-S-764 | 8. Gold pl. 5 min. over nickel pl. 50 min. over copper strike | | 11. Gold pl. 30 min. over nickel pl. 50 min. over copper strike | |
| 3. Per QQ-C-530 | | | | |
| 4. Per QQ-B-750 | | | | |



| ITEM | MATERIAL | FINISH |
|------------------------|--------------------------|---------------|
| Connector Body | Brass, Note 1 | Gold, Note 8 |
| Center Contact: Female | Beryllium Copper, Note 3 | Gold, Note 11 |
| Insulation | Teflon, Note 5 | None |
| Ferrule | Annealed Copper, Note 7 | Same as body |
| Gasket | Silicone Rubber, Note 6 | None |
| Hex Nut | Brass, Note 1 | Same as body |
| Lock Washer | Brass, Note 1 | Same as body |



Lighthouse Technologies, Inc.
5640 Kearny Mesa Rd. Suite N
San Diego, California 92111

Part Number:
LTI-SASF13ROGT-316

Description
SMA bulkhead crimp jack for RG-316 with o-ring. Gold plated brass body, teflon dielectric.

| | | |
|--------------|---------------------------------|---------------------------|
| Scale 3:1 | Drawing No. SMA/SASF13RO-316 | File Name SASF13RO-316 |
|--------------|---------------------------------|---------------------------|