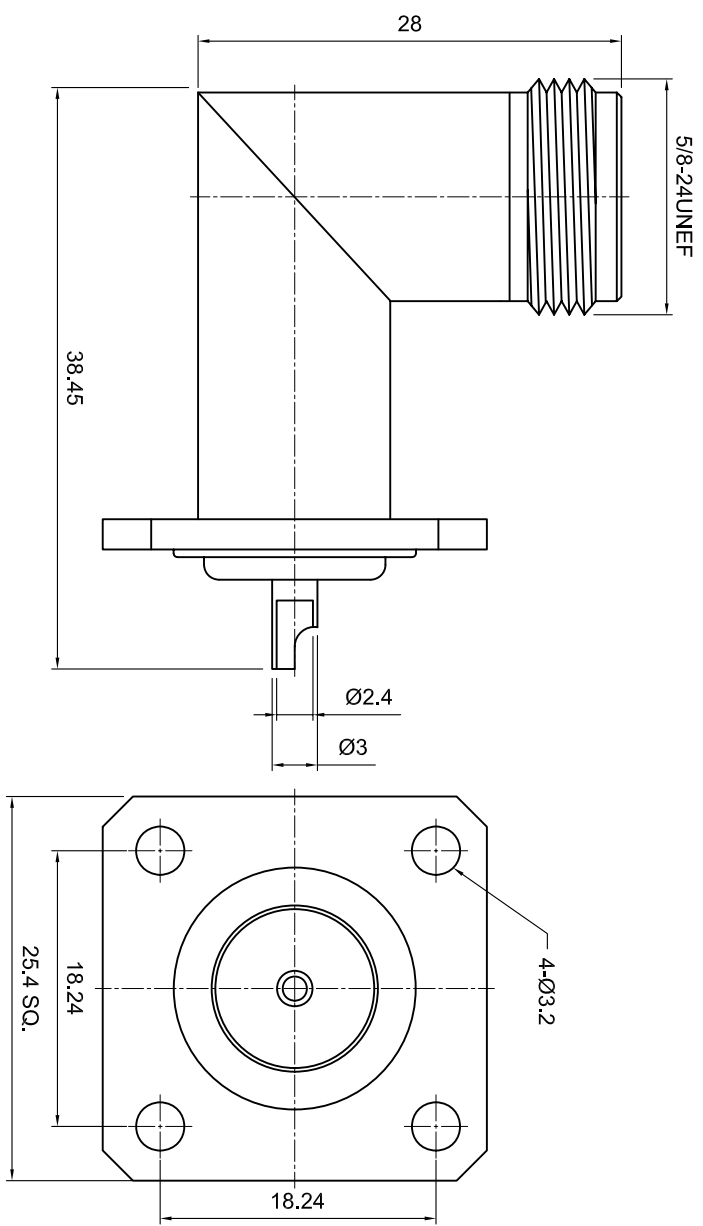


Revisions		Approved	Date
Description/Approved/Date	M.H.	11/07/02	
	Checked	M.H.	11/07/02
	Drawn	K.R.E.	11/07/02


Tolerances			
1-20=+/-0.2	20-30=+/-0.3	30-40=+/-0.4	40-50=+/-0.5
50-100=+/-0.75	100-300=+/-1.5	Angles=+/-1	

Dimensions are in Millimeters

NOTES (Plating thickness in microinches):			
1. Per QQ-B-626	6. Per ZZ-R-765	9. Nickel pl. 100 min. over copper strike	
2. Per QQ-S-764	7. Per WW-1-799	10. Gold pl. 5 min. over nickel pl. 50 min. over copper strike	
3. Per QQ-C-530	8. Gold pl. 5 min. over nickel pl. 50 min. over copper strike	11. Gold pl. 5 min. over nickel pl. 50 min. over copper strike	
4. Per QQ-B-750			



ITEM	MATERIAL	FINISH
Connector Body	Brass, Note 1	Nickel, Note 9
Center Contact:	Phosphor Bronze, Note 4	Gold, Note 11
Insulation	Teflon, Note 5	None
Ferrule	--	--
Gasket	--	--
Hex Nut	--	--
Lock Washer	--	--

 Lighthouse Technologies, Inc. 4907 Morena Boulevard, #1411 San Diego, California 92117 Part Number: LTI-NLF42NT		
Description: N Right Angle Panel Jack		
Scale: 1:1	Drawing No. NLF42NT	File Name NLF42NT