



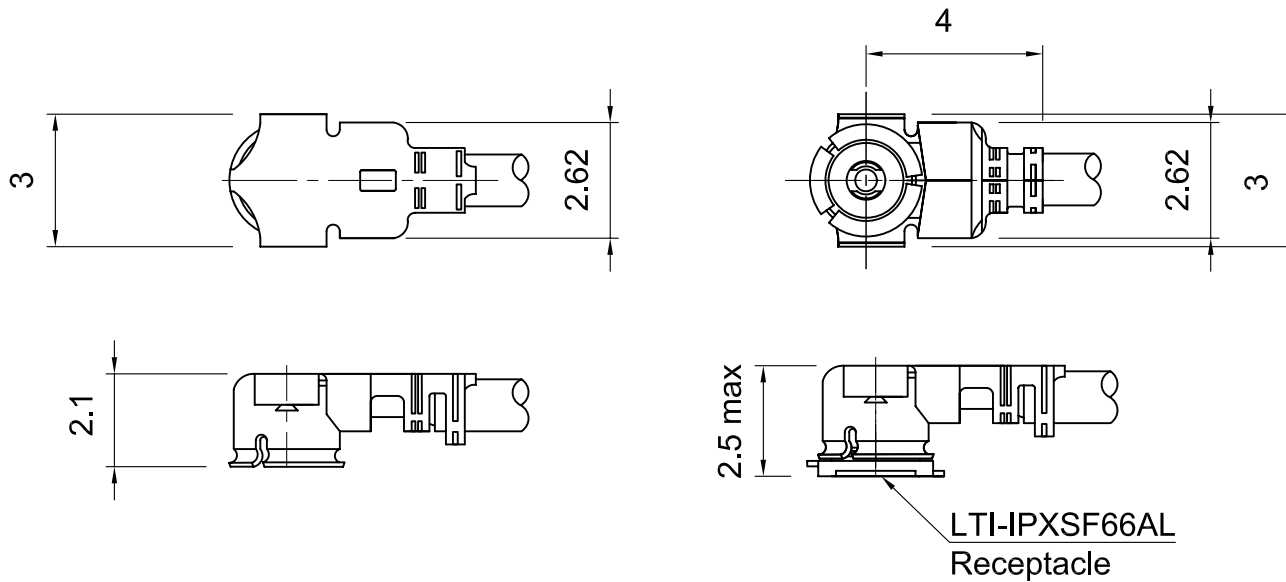
VSWR @ 6GHz	1.3 Max.
Nominal Impedance	50 ohm
Temperature Range	-40C to 90C
Voltage Rating	60 V AC (rms)
Contact Resistance	10m ohm Max (Gnd) 20m ohm Max (Sig)
Withstanding Voltage	AC200Vrms
Insulation Resistance	500m ohm Min/DC 100V

<b>Tolerances</b>
1-20=+/-0.2
20-30=+/-0.3
30-40=+/-0.4
40-50=+/-0.5
50-100=+/-0.75
100-300=+/-1.5
Angles=+/-1
<b>Dimensions are in Millimeters</b>

Revisions Description/Approved/Date	Approved M.H.	Date 4/13/05
	Checked M.H.	Date 4/13/05
	Drawn M.D.L	Date 4/13/05
NOTES (plating thickness in micro-inches): 1. Per QQ-B-626 2. Per QQ-S-764 3. Per QQ-C-530 4. Per QQ-B-750 5. Per MIL-P-19468 6. Per ZZ-R-765 7. Per WW-T-799 8. Gold pl. 5 min. over nickel pl. 50 min. over copper strike 9. Nickel pl. 100 min. over copper strike 10. Per QQ-P-35 11. Gold pl. 5 min. over nickel pl. 50 min. over copper strike		

All components used in this connector conform to RoHS standards.

**Approved by:**  
**Date:**



ITEM	MATERIAL	FINISH
Connector Body	Phosphor Bronze, Note 4	Gold, Note 8
Center Contact:	Brass, Note 1	Gold, Note 11
Insulation	PBT	Color: Black
Ferrule	--	--
Gasket	--	--
Hex Nut	--	--
Lock Washer	--	--

**Lighthouse Technologies, Inc.**

9511 Ridgehaven Court, Suite B  
San Diego, California 92123

Part Number:  
**LTI-IPXLM11GPB-132**

Description		
IPX right angle crimp plug for double shielded 1.32mm micro		
coax cable. Gold plated Phosphor Bronze body, PBT dielectric.		
Scale	Drawing No.	File Name
4:1	IPXLM11GPB	IPXLM11GPB