

Revisions		Approved	Date
Description/Approved/Date	Checked	M.H.	07/23/02
	M.H.		07/23/02
	Drawn	K.R.E.	07/18/02

Tolerances	
1-20=+/-0.2	
20-30=+/-0.3	
30-40=+/-0.4	
40-50=+/-0.5	
50-100=+/-0.75	
100-300=+/-1.5	
Angles=+/-1	

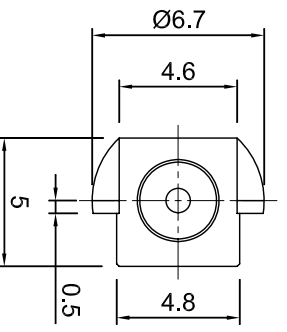
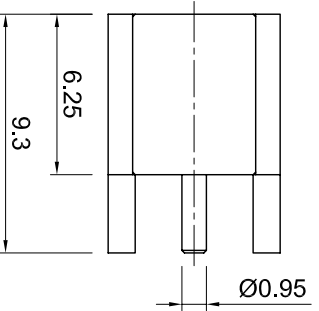
  

**Dimensions are in Millimeters**


  

NOTES (plating thickness in micro-inches):

5. Per MIL-P-19468	9. Nickel pl. 100 min. over
6. Per ZZ-R-765	copper strike
7. Per WW-1-799	10. Per QQ-P-35
8. Gold pl. 5 min. over	11. Gold pl. 30 min. over
3. Per QQ-C-530	nickel pl. 50 min. over
4. Per QQ-B-750	copper strike



ITEM	MATERIAL	FINISH
Connector Body	Brass, Note 1	Gold, Note 8
Center Contact: Female	Phosphor Bronze, Note 4	Gold, Note 11
Insulation	Teflon, Note 5	None
Ferrule	--	--
Gasket	--	--
Hex Nut	--	--
Lock Washer	--	--



**LTI**

**Lighthorse Technologies, Inc.**  
 9511 Ridgeway Court, Suite B  
 San Diego, CA 92123  
 Part Number:  
**LTI-7MXSF56GT**

Description  
 75 Ohm MCX edge mount PCB jack. Gold plated brass body,  
 teflon dielectric.

Scale 4:1      Drawing No.      File Name 7MXSF56