

All components used in this connector conform to RoHS standards.



Tolerances
 1-20=+/-0.2
 20-30=+/-0.3
 30-40=+/-0.4
 40-50=+/-0.5
 50-100=+/-0.75
 100-300=+/-1.5
 Angles=+/-1

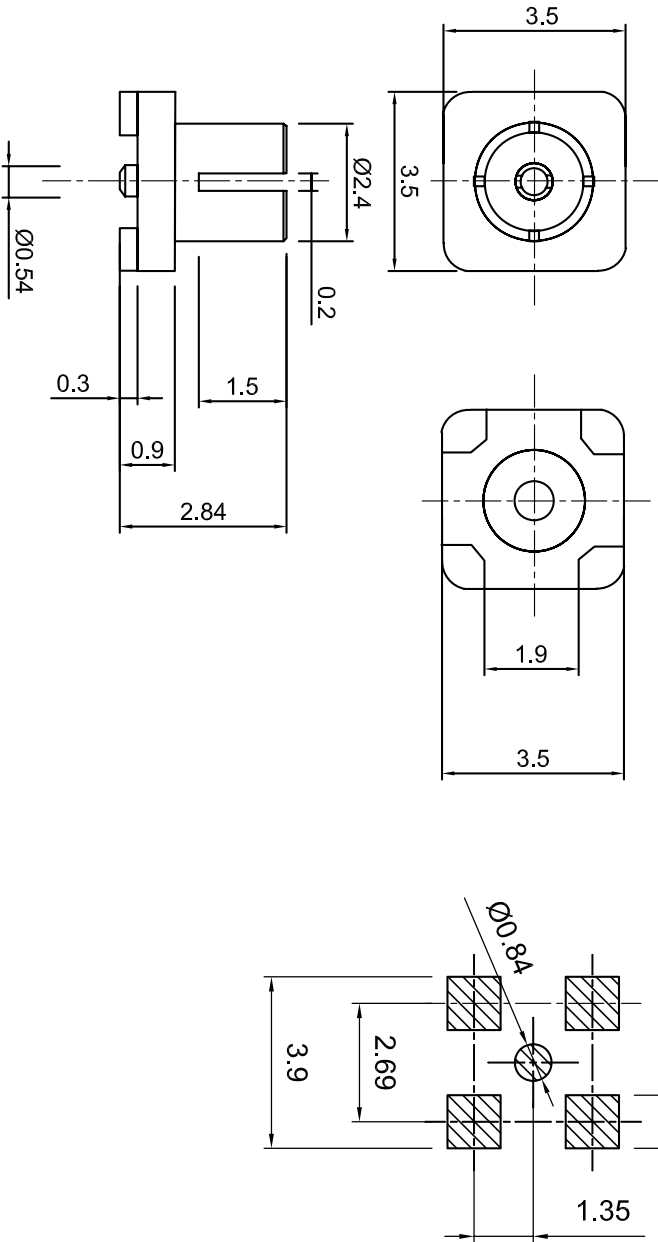
Dimensions are in Millimeters

Revisions		Approved	Date
Description/Approved/Date	Checked	MH	
	LM		Date
	Drawn	SA	Date

NOTES (plating thickness):

1. Per QQ-B-626	6. Per ZZ-R-765	9. Nickel pl. 100 min. over copper strike
2. Per QQ-S-764	7. Per WW-T-799	10. Per QQ-P-35
3. Per QQ-C-530	8. Gold pl. 5 min. over nickel pl. 50 min. over copper strike	11. Gold pl. 30 min. over nickel pl. 50 min. over copper strike
4. Per QQ-B-750		

4 - 1.21 SQ.



ITEM	MATERIAL	FINISH	Description
Connector Body	Brass, Note 1	Gold, Note 8	<p>Lighthouse Technologies, Inc. 9511 Ridgeway Court, Suite B San Diego, California 92123 Part Number: LTI-IPXS F66GT-X1</p>
Center Contact: F	BeCu, Note 3	Gold, Note 11	
Insulation	Teflon, Note 5	--	
Ferrule	--	--	
Gasket	--	--	
Hex Nut	--	--	Description IPX SMT Jack receptacle, gold plated brass, Teflon dielectric Mates to IPXSM66AL Scale 4:1
Lock Washer	--	--	Drawing No. IPXS F54GT File Name IPXS F54GT

Approved by:
Date: